

**TANCO AUTOWRAP
1250 A MODEL 1995
OPERATORS HANDBOOK
AND
PARTS LIST
WD65-1250-A-M0695**

GUARANTEE

Subject as hereunder provided, the Sellers undertake to correct either by repair or at their election by replacement any defect of material or workmanship which occurs in any of its goods within twelve months after delivery of such goods to first user, with the exception of contractors or commercial users when warranty period is six months.

In respect of Autowraps the warranty period is for 12 months or 8000 bales which ever occurs first.

In respect of Aerways tine breakage will be assessed on an individual basis in every case.

The term goods when used in this document means the article or articles described in invoice as sold by the sellers but does not include equipment or proprietary parts or accessories not manufactured by the sellers. The sellers, however, undertake to pass on so far as they legally can to the first user the benefit of any warranty given to the Sellers by the suppliers of such equipment, parts or accessories.

This understanding shall not apply to:

- (a) Any goods which have been sold by the first user.
- (b) Any goods which have been injured by unfair wear and tear, neglect or improper use.
- (c) Any goods the identification marks of which have been altered or removed.
- (d) Any goods which have not received the basic normal maintenance such as tightening of bolts, nuts, tines, hose connections and fittings and normal lubrication with the recommended lubricant.
- (e) The use of any product on tractors exceeding the recommended horsepower.
- (f) Any goods which have been altered or repaired other than on instruction or with the written approval of the Seller or to which any part not manufactured or having written approval by the Sellers have been fixed.
- (g) Any second-hand goods or part thereof.

Any allegedly defective part or parts returned to the Sellers must be sent carriage paid. No claim for repair or replacement will be entertained unless upon discovery of the alleged defect written notification is sent to the Sellers giving, at the same time, the name of the Buyer from whom the goods were purchased and the date of purchase together with full details of the alleged defect and the circumstances involved, also the serial number of the machine etc.,

The Sellers shall be under no liability to their Buyers and first and subsequent users of their goods or to any other person or persons for loss or damages howsoever arising in respect of either personal injuries or for arising out of, or in any way connected with or arising from the manufacturers sale, handling, repair, maintenance, replacement or use of its goods or the failure or malfunction of any of its goods.

Representation and/or warranties made by any person (including Buyers and employees and other representatives of the Seller) which are inconsistent or conflicting with these conditions are not binding upon the Sellers unless given in writing and signed by a Director of the Sellers.

CLAIMS

If you wish to make a claim under guarantee.

1. Immediately, stop using the machine.
2. List the details of the machine and damaged item, (as shown inside the front cover of this booklet.
3. Consult with your Tanco dealer (supplier) and have him forward your claim and the damaged item to Tanco.

GENERAL SAFETY RECOMMENDATIONS

Before operating the machine, always ensure that the tractor and machine meet with work safety and road traffic regulations.

BASIC PRINCIPLES

- 1: In addition to the recommendations given in this manual, legislation on work safety and accident prevention must also be respected.
- 2: Advice is indicated on the machine, specifying safety recommendations in order to prevent accidents.
- 3: Before travelling on public roads, the operator must ensure that the machine conforms to road traffic regulations.
- 4: Before starting work, the operator must be familiar with all machine controls, handling devices and their functions. Once at work, it is too late to do this!
- 5: Do not wear loose clothing which could become caught up in moving elements.
- 6: The tractor should be equipped with a safety cab.
- 7: Before starting up the machine and beginning work, check the surrounding area (beware of children!). Make sure there is sufficient visibility. Keep all people and animals away from the danger zone of the machine (risk of projection!).
- 8: Carrying people or animals on the machine when working or in transport is strictly forbidden.
- 9: Machine must only be attached to tractor using means provided and in accordance with current safety standards.
- 10: Special care should be taken when attaching or removing the machine from the tractor.
- 11: Before transporting the machine on public roads, ensure that all legally required guards and indicators (lights, reflectors ...) are in place and in good operation.
- 12: All operating controls (cords, cables, rods etc.) must be positioned so that they cannot be set off accidentally, risking accident or damage.
- 13: Before travelling on public roads, put the machine into its transport position as instructed in this operators manual.
- 14: Never leave the tractor seat while the machine is operating.

- 15: Drive speed must be adapted to ground conditions as well as to roads and paths. Always avoid abrupt changes of direction.
- 16: Before operating the machine, ensure that all safety guards are firmly in place and in good condition. If worn or damaged, replace immediately.
- 17: Before operating the machine, check the tightness of all nuts and bolts, particularly on fixing elements (blades, tines, knives, spades etc.,).
- 18: Keep clear of the machine operating area.
- 19: **WARNING!** Danger of crushing and shearing can exist when components are operated by hydraulic or pneumatic controls.
- 20: Before leaving the tractor or before adjusting, maintaining or repairing the machine, turn off the engine, remove the ignition key and wait until all moving parts have come to a complete stop.
- 21: Do not stand between the tractor and the machine unless the hand brake is tight and/or stops have been placed under the wheels.
- 22: Before any adjustments, maintenance or repairs are carried out, ensure that the machine cannot be started up accidentally.

ADDITIONAL RECOMMENDATIONS FOR LINKAGE MOUNTED MACHINES

- 1: Before attaching the machine, ensure that the front tractor axle is sufficiently ballasted. Ballast is to be placed on the supports provided in accordance with instructions of the tractor manufacturer.
- 2: Do not exceed the maximum axle load or the overall transport weight prescribed by the tractor manufacturer.
- 3: Precision steering, tractor adherence, road holding and efficient braking are influenced by the type of implement, weight, ballast of front axle, ground or road conditions. It is therefore of utmost importance to be cautious in every given situation.
- 4: Be particularly cautious when turning corners, paying attention to machine overhang, length, height and weight.

SAFETY RECOMMENDATIONS FOR ATTACHING IMPLEMENTS TO TRACTOR

- 1: When attaching or removing the machine from the tractor, position hydraulic lift control lever in such a way that it cannot be set off accidentally.
- 2: When attaching the machine to the tractor hydraulic linkage, ensure that diameter of the link pins corresponds to the diameter of the ball joints.
- 3: **WARNING!** Danger of crushing and shearing can exist in the lifting zone of the tractor hydraulic linkage!
- 4: Do not stand between the tractor and the machine when operating the outer lever of the lift mechanism.
- 5: In transport, the machine lift mechanism should be stabilized by tractor tie rods to avoid floatation and side shifting.
- 6: When transporting the machine, lock the hydraulic lift control lever in place so that it cannot be lowered accidentally.

HYDRAULIC SYSTEM

- 1: **WARNING!** Hydraulic system is under pressure.
- 2: When fitting hydraulic motors or cylinders, ensure that connections have been made correctly, as per manufacturers instructions.
- 3: Before connecting hoses to the tractor hydraulics, ensure that tractor and machine circuits are not under pressure.
- 4: It is strongly recommended that the operator marks the hydraulic connections between tractor and machine to avoid making a wrong connection. **WARNING!** Functions could be reversed (for example: lift/lower).
- 5: Check hydraulic hoses regularly! Worn or damaged hoses must be replaced immediately. Replacement parts must be in accordance with the manufacturers recommendations concerning specifications and quality.
- 6: Should a leak be found, take all necessary precautions to avoid accidents.
- 7: Any liquid under pressure (particularly oil from hydraulics) can penetrate the skin and cause severe injury. If injured, see a doctor immediately, there could be a danger of infection.
- 8: Before any adjustments, maintenance or repairs are carried out, lower the machine, depressurize the circuit, turn off the engine and remove the ignition key.

MAINTENANCE

- 1: Before checking for any machine malfunction and before adjusting, maintaining or repairing the machine, turn off engine and remove ignition key.
- 2: Check tightness of nuts and bolts regularly. Retighten if necessary.
- 3: If the machine is raised, prop it up in a stable position before carrying out any maintenance work.
- 4: When replacing a working part, wear protection gloves and use only standardized tools.
- 5: It is forbidden to discard any oil, grease or filters. These must be given to waste disposal organisations to protect the environment.
- 6: Disconnect power source before any work is done to the electric system.

- 7: Check safety guards regularly, particularly those that are subject to wear. Replace immediately if damaged.
- 8: Spare parts used must be in accordance with specifications and standards as defined by the manufacturer. Use only genuine TANCO parts.
- 9: Before any electric welding is carried out on tractor or attached machine, disconnect generator and battery terminals.
- 10: Repairs on elements under pressure or tension (springs, accumulators etc.) must only be carried out by competent persons with standardized equipment.

SPECIAL SAFETY INSTRUCTIONS

1. Stop engine of tractor before working on machine.
2. Put a suitable prop under raised platform before working in this area.
3. Always raise Lift Arm and fit safety prop before transporting machine on public roads.
4. Lift Arms should always be lowered before operating turntable.
5. Ensure platform rollers are parallel to Lift Arm before arm is raised.
6. On Autowrap models fitted with hydraulic bale ramp it is essential that the hydraulic hose is not disconnected from the hydraulic cylinder or hydraulic accumulator. This system is charged under pressure. Also, do not attempt to open the hydraulic accumulator as this is a pressurised unit.

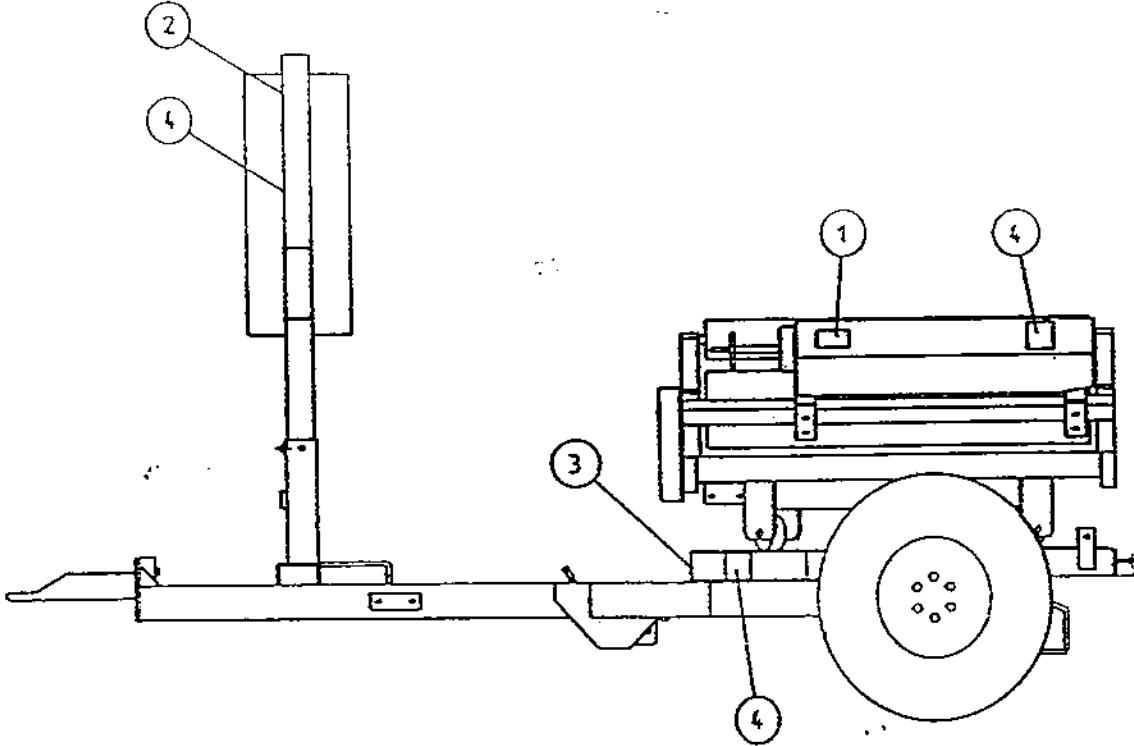
OPERATING SAFETY INSTRUCTIONS

1. Operators should have their hands on the controls at all times when machine is in use.
2. Autowrap control unit and level controls must remain in the tractor cab at all times. The operator must at no time leave the tractor cab when the machine is in motion.
3. Keep onlookers clear of machine at all times. Danger zone is 5 metres.
4. Beware of rotating turntable and all moving parts.
5. If not operated correctly the bale could fly off the turntable. The end support rollers must always be fitted. Do not exceed recommended turntable speed of 30 r.p.m. Misshapen bales combined with excessive turntable speeds can be dangerous.
6. Care must be taken when tipping bales from machine on sloping ground and during subsequent handling to ensure that they do not roll, thus causing hazard.

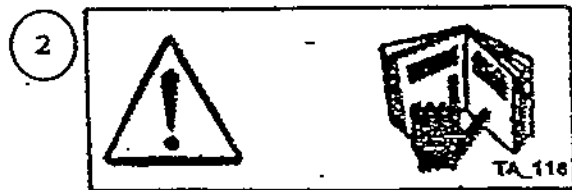
THINK OF YOUR PERSONAL SAFETY AND THAT OF OTHERS AT ALL TIMES.

SAFETY DECALS

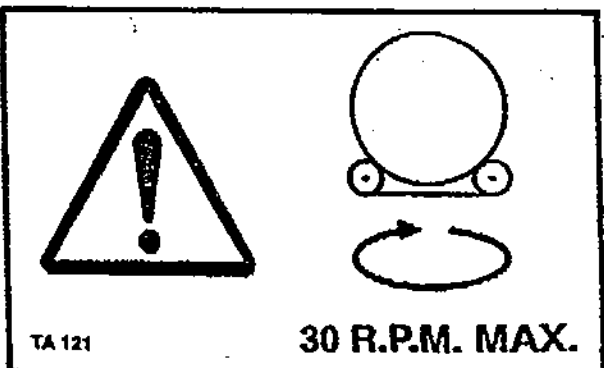
The following safety decals have been placed on your machine in the areas indicated. They are intended for your personal safety and for the safety of the people working with you. With this manual, walk around your machine and note the content and location of these warning signs. Review these decals and the operating instructions in the manual with your machine operators. Ensure that these decals are always legible. If they are not, replace them.



WARNING SHARP KNIFE



BEFORE STARTING THE MACHINE READ OPERATORS MANUAL AND SAFETY INSTRUCTIONS



DO NOT EXCEED TURNTABLE SPEED OF 30 R.P.M.



DANGER STAND CLEAR

TECHNICAL SPECIFICATIONS

1250S/1250A
Model
(Trailed)

Dimensions

Total Length - Excluding Bale Mat	...	350cm
Width - excluding lift arm	...	221cm
Width - lift arm fully raised	...	243cm
Width - lift arm lowered	...	380cm
Height to top of side (bale guide) rollers		136cm
Height to top of lift	...	242cm

Weight

With lift arm	...	1350kgs
Without lift arm	...	1050kgs

Wheels

Size	...	10-80.12
Pressure	...	42 p.s.i.

Lift arm capacity - Axle extended normally	...	500kgs
Lift arm capacity - Axle extended fully	...	650kgs
Speed of turntable	...	20 rev/min*
Oil requirement	...	23litres/min (165 kp cm ²)
Attachment to tractor	...	Tractor Hitch
Bale sizes Claas Quadrant	...	120 x 120 x 70 cm max 650 kgs
Film (Width of Roll)	...	750mm

* The speed of rotation can be varied to suit various conditions but on no account should it exceed 25 r.p.m. (Speeds in excess of 25 r.p.m. will void warranty).

PRE DELIVERY INSTRUCTIONS

IMPORTANT: DO NOT ATTEMPT TO OPERATE UNTIL THE FOLLOWING INSTRUCTIONS ARE PERFORMED OTHERWISE SERIOUS DAMAGE COULD BE CAUSED.

1. MACHINE ASSEMBLY

For ease of transportation some items are removed from their positions and stored elsewhere on the machine. The control box, film dispenser and cut and start unit are stored under the bale belt. Also stored under belt on remote control machines are the infra red receiver and sender units and warning beacon. The film mast is attached to the front of the machine. On round bale machines only, the top rollers c/w mounting brackets and the plastic end rollers are mounted on temporary brackets beside the bale belt, also the main guard may be dropped from its mounting position on the machine chassis. Road wheels, bale lift arm and bale ramp are transported separately. Remove the above items and assemble as detailed in parts list section of this manual taking particular note of the following points.

(i) DISPENSER MAST

Insert lift mast into socket towards front of machine. Ensure film pull down ram is faced towards the machine. Attach the pull down arm hydraulic ram. Attach the film dispenser to the mast ensuring that the end marked top is faced up. On remote control machines attach the infra-red receiver and warning beacon to top of mast. The film mast height is adjustable. Its height is dependant on bale size and type and is set in the field. It should be set so that centre line of film is in line with centre of bale. See Fig. 1

(ii) CUT & START

Attach Cut & Start unit to mounting frame on the left hand side of the machine. It is possible to move the unit along the mounting and fix it to any of three holes. On all round bale wrapping machines the unit is fixed to the centre hole on the mounting frame. Connect electrical supply to unit ensuring that wiring is secure. The cable is stored on the turntable frame near the Cut & Start mounting.

(iii) BALE LIFT ARM

Assemble bale lift arm and attach to mounting points on right hand side of main chassis. Attach hydraulic ram to lift arm; grease pivot pins.

(iv) TOP ROLLERS AND PLASTIC END ROLLERS

Place plastic end rollers in sockets on the back and front of the turntable. On round bale machines only, attach top rollers and mounting brackets to each side of the machine.

(v) MAIN GUARD (round bale machines only)

Bolt main guard onto its four mounting points.

(vi) ROAD WHEELS (trailed machines only)

Attach road wheels ensuring that nuts are tight and tyre pressure is 50 p.s.i.

(vii) BALE RAMP OR MAT

Attach bale ramp or mat to rear of chassis. Note Round bale trailed machines have bale ramps all other machines have bale mats.

CHECKS TO BE PERFORMED

1. Check that all bolts and nuts are tight.
2. That all lubrication points are greased.
3. Check that all guards are in place.
4. Check all operating and safety stickers are in place.

2. OPERATIONAL TEST

When all above assembly and checks have been carried out the operation of the machine should be checked as follows:

NOTE: IF YOU ARE NOT TOTALLY FAMILIAR WITH THE OPERATION OF THE TANCO CONTROL SYSTEM READ THIS MANUAL IN FULL BEFORE PROCEEDING WITH OPERATIONAL TEST.

1. Attach machine to tractor.
2. Connect hydraulic hoses to D/A service on tractor.
3. Fit controller box inside cab.
4. Connect control box to machine and connect power cable direct to tractor battery. It is important that the leads are connected with the correct polarity.
5. Fit cable control actuator socket to convenient position in cab and locate actuators in socket.
6. Lock hydraulic lever in tractor so that oil is flowing through system.
7. Check function by operating control levers.
 - (a) Lift arm up and lift arm down. NOTE ensure lift arm is down before moving to (b).
 - (b) Turntable rotation forward and reverse.
 - (c) Tip up and down checking hoses are o.k.
8. Switch controller on.
9. Switch controller to manual operating mode by operating toggle switch.
10. Check Cut & Start plunger out and in.
11. Switch machine to AUTO mode then run through the Wrapping cycle. See operating instruction section of this manual on how the machine should perform, and if any function fails to operate correctly consult fault finding section of the operators manual.

3. CUSTOMER CHECKS

Before despatching consult customer on the following points:

1. That the machine model suits his requirements.
2. If machine is to be operated on a tractor with a closed centre hydraulic system then a closed centre valve is required, see separate instructions.
3. That the tow hitch type is compatible with the tractor. Three different hitch types are available.

TRANSPORT INSTRUCTIONS

1. Never use straps around the machine when lifting. Use only the following lifting points:- Tow hitch and two sockets on each side of main frame at rear for trailed models. 3pt. Linkage frame and two sockets on each side of main frame at rear for 3 pt. Linkage Model.
2. When the machine is towed on the road the Lifting Arm (if fitted) must be in the fully raised position, the safety prop fitted and the axle returned to narrowest position.
3. Raise the Parking Jack on trailed models before moving machine.

MACHINE IDENTIFICATION

The Serial Number plate is located on main frame forward of offside wheel on trailed models and on 3pt. Linkage frame for 3pt. Linkage model.

Always refer to this number when ordering parts.

The Spare parts catalogue number and description should be used. The reference numbers are used to help identifying the spare part.

For your records write serial number here.

SERIAL NO. _____

PREPARATION OF A NEW MACHINE

1. Check height of film mast to ensure that centre line of film spool is level with the centre line of the bale on the turntable. This will alter with different bale diameters. If this alignment is not correct more film than necessary will be used. See Fig 1. Page 15.
2. When connected to John Deere* tractor the valve must be converted to closed centre. See Page 18.

HYDRAULIC CONNECTIONS

Connect the feed and return hoses from the Autowrap valve to the tractor's double-acting facility.

NOTE: The return hose is fitted with a non-return valve to protect the Autowrap from damage in the event of incorrect connection to tractor hydraulics.

NOTE* To ensure maximum efficiency and length of life of hydraulic components this machine requires a clean supply of hydraulic oil. IT IS RECOMMENDED THAT THE TRACTOR HYDRAULIC FILTER ELEMENT BE REPLACED AND THEREAFTER MAINTAINED IN ACCORDANCE WITH THE MANUFACTURERS RECOMMENDATIONS.

TANCO AUTOWRAP 1250 MODEL
BALE BELT TRACKING.

This machine is fitted with a continuous belt which has a natural tendency to float due to variations in bale shape centrifugal forces etc. However if the following instructions are followed closely the final setting for tracking the belt can be arrived at over a maximum of two or three bales in the field. The ideal settings will ensure that the belt will always return to a central line.

Prior to despatch from our works the belt is centralised on the machine and the belt adjuster and belt tracking rollers are adjusted to the settings on the drawing B.T.I. attached.

The belt adjuster roller (item 1) is initially set slightly offset to the drive roller, see A & B. Its primary function is to control the sag in the belt so that the centre of the bale is high enough to ensure that it is fully wrapped correctly on the ends, but may also require adjustment to control the belt on the drive roller (see belt tracking procedure below).

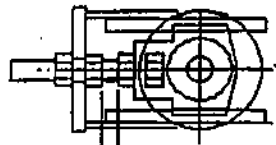
The belt tracking roller is purposely set out of line to the top roller, see C & D. Its function is to put tension on one side of the belt to counteract the tendency of the belt to move sideways. The bale will always try to move away from the chain drive side of the machine until it touches the plastic end roller at the other side, at which point the bale belt will attempt to move away from the bale and towards the chain drive side.

The degree of offset of the tracking roller (item 2) may need adjustment to control the belt on the idler roller.

BELT TRACKING PROCEDURE.

1. Ensure the belt tracking roller is adjusted to the final settings at C & D (see drawing) and that the belt adjuster roller is adjusted to settings A & B.
2. Load bale and rotate turntable for approx 20 revolutions without film being applied and observe if belt moves.
3. If the belt moves more than 30mm out of line, observe which roller it moves on and in which direction it moves, then adjust the appropriate roller inwards on the side the belt moves away from in 5mm increments until the belt stays relatively central.
4. Attach film and commence wrapping the bale manually whilst making adjustments as per 3 above.
5. Tip off bale then load fresh bale and again wrap using manual controls. If adjustments have not been excessive on any one roller then the belt should now run central.
6. Load next bale and commence wrapping in auto mode whilst observing how the belt behaves. If the belt movement is less than 30mm on either roller do not adjust again but continue wrapping bales.

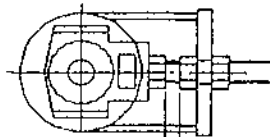
NOTE: The belt will always move because each belt is different, but provided it runs reasonably centrally it should not require any further adjustments.



10 mm

A

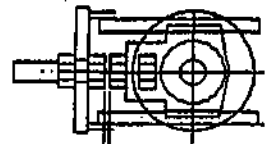
DRIVE ROLLER



35 mm

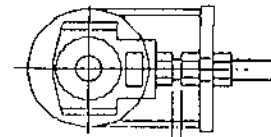
C

C/L OF TRACKING ROLLER



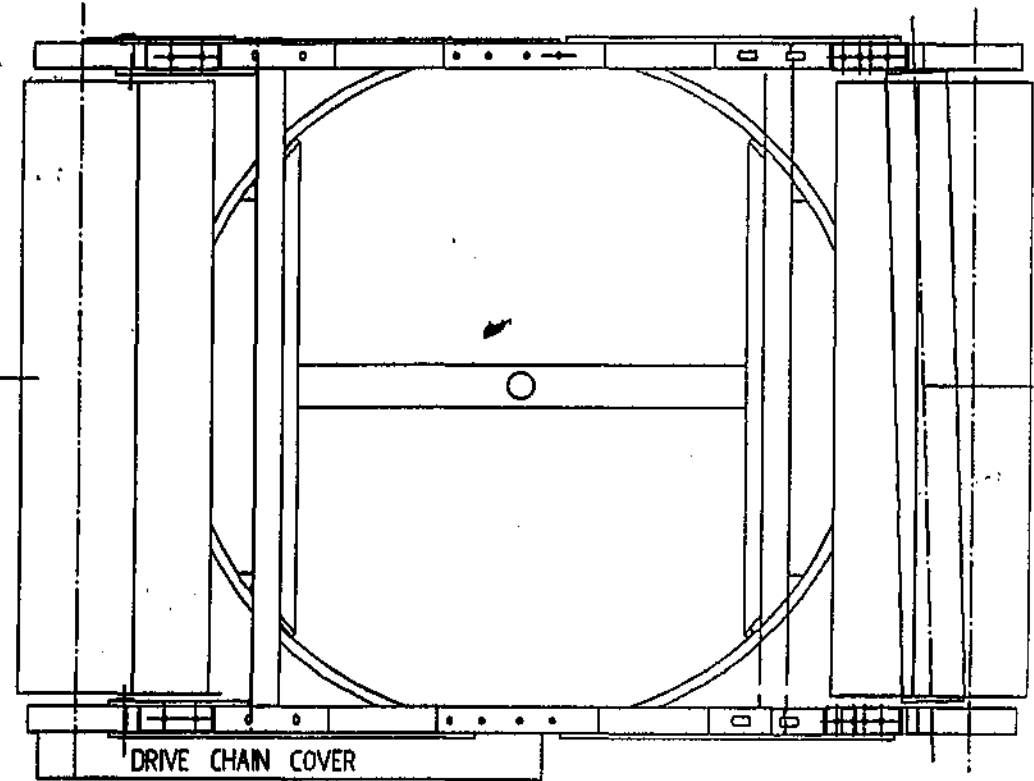
3 mm

B

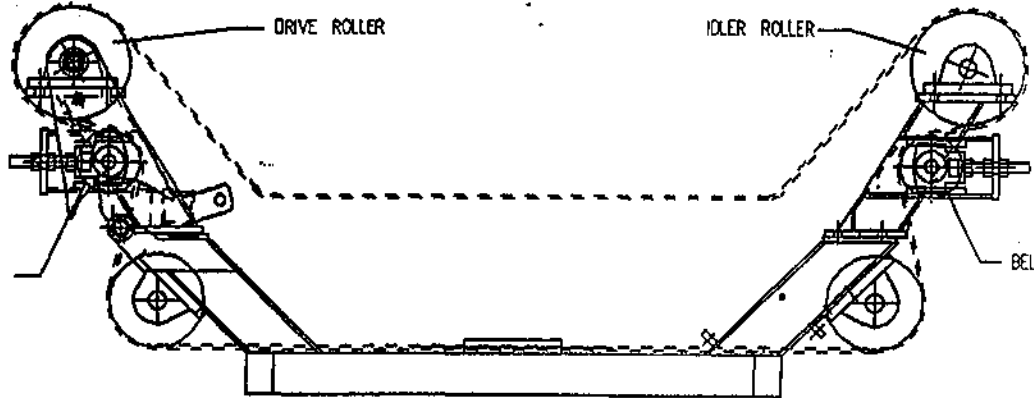


9 mm

D



DRIVE CHAIN COVER



DRIVE ROLLER

IDLER ROLLER

1 BELT ADJUSTER ROLLER

BELT TRACKING ROLLER

1

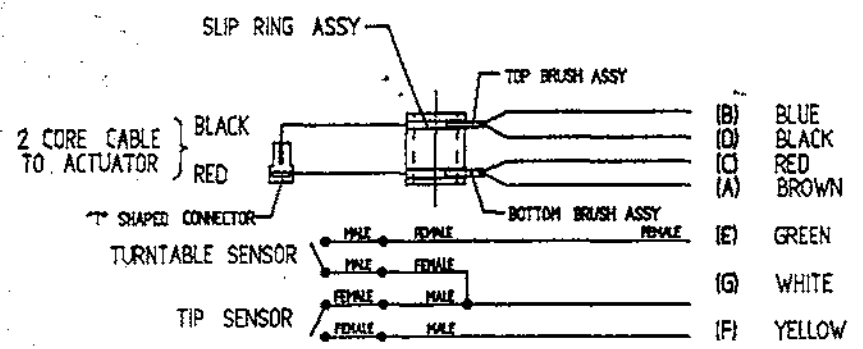
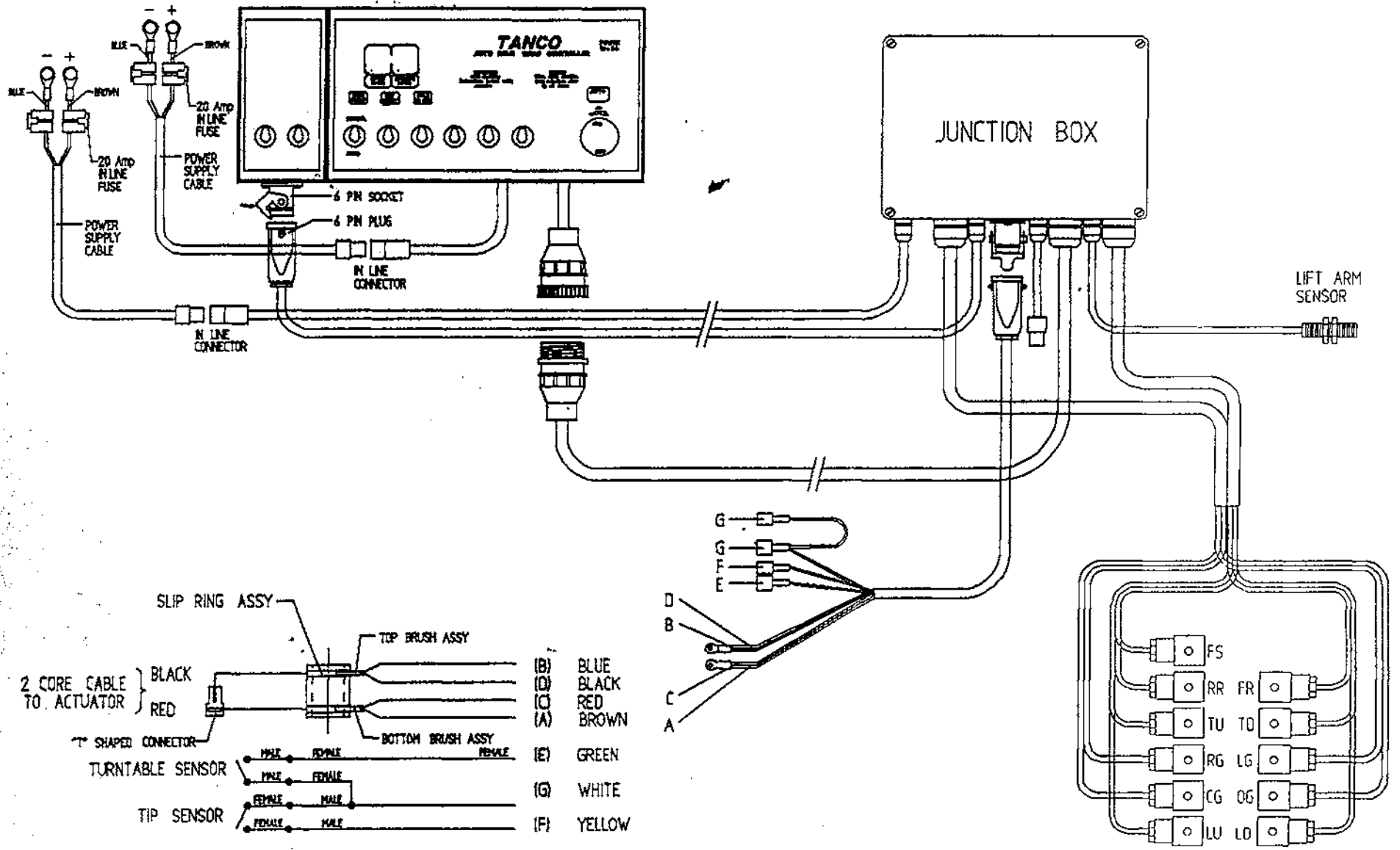
2

1250 MODEL

B.T. 2

FILE NAME 9228 B

TANCO AUTOWRAP 1250 A MODELS JUNCTION BOX AND CONTROLLER FOR 5 BANK VALVE



AUTOMATIC BALE WRAP CONTROLLER

The control unit on the 1995 Autowrap allows full automated control of the bale wrapping sequence. The control unit is pre-programmed to automatically wrap the bale to the required number of revolutions. Once complete, the turntable stops in the correct position to allow the film to be cut and held. Incorporated is also an inching override facility on the control unit to move the turntable, left or right, to ensure that the film is properly gathered. Once the turntable is lowered it rotates automatically back through 90 degrees to facilitate loading the next bale. Loading and tipping off of the bale is operator controlled using switches on the control unit.

The programming of the Automatic Bale Wrap Controller is easily done by following the steps outlined below.

Once the unit is switched on, the number of required turntable revolutions appears on the right hand display. To change this press and hold the "hold to set" button, see fig 7., then press the "set/reset" button. The first digit of the number will then blink and count from 0-9. Release the "set/reset" button at the required number, by pressing the "set/reset" again the second digit can be changed.

The monitor counts the number of bales per batch and the cumulative total. To see these, press the "bale count" button. The first number to appear is the batch total. If the button is held down for 10 seconds, a line will appear on the display, followed by the cumulative number wrapped. The batch count can be reset to 0 by holding the "bale count" button down and pressing the "set/reset" once. The cumulative total be returned to zero.

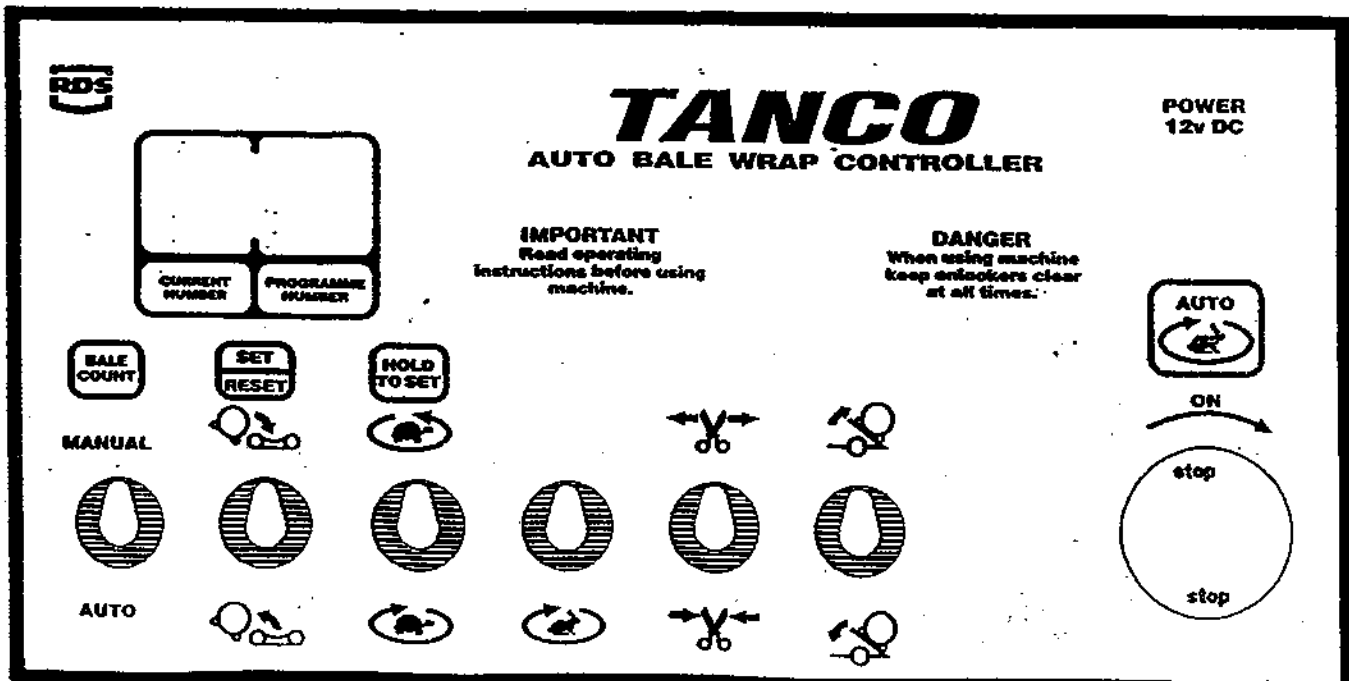
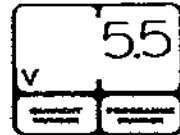


FIG. 7

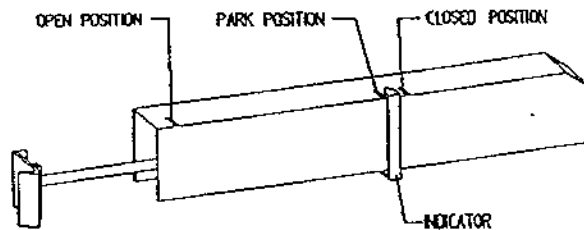
OPERATOR ACCESSIBLE MONITOR PROGRAMMES

The Auto Bale Wrap Controller display a total of *8 programmes. To access the programming mode, turn the power off by pressing the red button, then press and hold the 'hold to set' key and turn the power on, by rotating the red button. Now you have accessed to the programming mode. A chevron 'V' will appear in the left side of the left display - this indicates the first function. By pressing the 'hold to set' key the next programme is accessed and so on. The chevron 'V' will move across the display indicating each of the 8 functions. The functions and settings are as follows.

Programme 1: Park Position
Display Reading: 5.5 Seconds



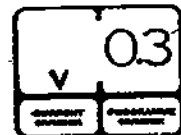
Function: Time required for the 'Cut and Start' Actuator to return from the 'Open' position to the 'Park' position (See Diagram).



Due to varied output from tractor batteries, this reading may have to be altered to ensure that the indicator arm stops at the 'park' position.

- (i) If the indicator arm passes the 'park' position, then reduce the valve by 0.1 sec. Repeat this until correct.
- (ii) If the indicator arm does not reach the 'park' position, then increase the valve by 0.1 seconds until corrected.

Programme 2: Stop Position for the Cut and Start
Display Reading: 0.3 seconds.



Function: This programme sets the point at which the 'Cut and Start' stops under the film at the end of the automatic wrapping cycle. This Value is adjusted.

- (i) If the turntable rotates too far and the 'Cut and Start' passes under the film, then reduce the setting by 0.1. Repeat until corrected.
- (ii) If the turntable rotate does not rotate far enough and the 'Cut and Start' does not line up with the film, then increase the setting by 0.1. Repeat until corrected.

* NOTE: Automatic autowrap controllers prior to Serial No. 45700 had only 7 programmes displayed. After this serial number Programme 4 "Tip Up to Tip Down Delay" was inserted to give more control to the operator for fine tuning the automatic sequence.

Programme 3: Tip up.
Display reading: 4.0



Function: This controls the time for which the tipping ram extends out after the 'Cut and Start' closes. This value is changed only when the setting of the rear magnet that impulses the tip sensor, is changed;

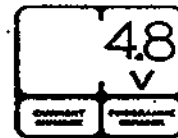
- (i) If the magnet is adjusted upwards then this setting will have to be increased.
- (ii) If the magnet is adjusted downwards then this setting is decreased. Adjustment is in 0.5 second increments.

Programme 4: Tip up to tip down delay
Display reading: 0.5



Function: Duration in seconds that the tipping ram remains fully extended between tip up and tip down.

Programme 5: Tip down.
Display reading: 4.8



Function: This controls the time required for the turntable to tip down to the horizontal position. Note: this setting is increased if the film pull down arm does not retract fully. Adjust in 0.1 increments.

Programme 6: Stop Position in Reverse.
Display Reading: 0.3



Function: This controls the point at which the turntable will stop when it rotates back to facilitate loading. This setting is only altered;

- (i) When the turntable rotates back too far then decrease this value by 0.1. Repeat until corrected.
- (ii) When the turntable does not rotate back enough then increase this value by 0.1. Repeat until corrected.

MODE OF OPERATION

Automatic Mode:

1. Lower bale lift arm to correct position and pick up the bale.
2. Position the bale gently onto the turntable with a grab ensuring that it is central between the end rollers.
3. Once loaded, the arm is lowered and the 'Auto Start' button is pressed to commence wrapping. NOTE: The table must be in the correct loading position before the 'Auto Start' button is pressed. If not the table may stop in the wrong position at the end of wrapping.
4. In the automatic cycle the turntable will start off slowly for a half of one revolution before it reaches full speed. On the last revolution it will slow down and stop in the correct position to allow the film to be cut and held. NOTE: It is possible to move the turntable, left or right, to align the plastic by using the remote control or the toggle switch.
5. During the wrap cycle the 'Cut and Start' will extend out automatically. An indicator on the outside panel indicates what stage the 'Cut and Stat' is at. On the third revolution the actuator extends out moving the indicator from the close position to the open position. On the sixth revolution the actuator returns to the park position indicating that the 'Cut and Start' is ready to close. The indicator must be at the park position in either manual or automatic mode before the 'Cut and Start' will close.
6. When in a safe position to do so, press the tip off button.
7. The tip off sequence is automatic and once the turntable lowers it will rotate backwards through 90 degrees to facilitate loading, if required.

Manual Mode:

1. Switch to manual on the monitor.
2. Load the bale as outlined above.
3. Using the slow rotation switch, start the wrapping cycle.
4. After half of a revolution, switch to the fast wrapping mode by pressing the appropriate switch.
5. During the wrapping extend the Cut and Start out to the end mark and return the indicator to the 'Park Position'.
6. At the end of the wrap cycle line up the 'Cut and Start' with the film.
7. When safe to do so, tip off the bale and lower the turntable.
8. Position the turntable to load the next bale.

Operating Instructions

1. Fit roll of film and thread through the Dispenser roller assembly by following the instruction label on the film mast.
2. Set the bale wrap indicator to the correct setting for the size of bale being wrapped and the width of film being used. See Page 6 for list of some recommended settings.
3. Power down Lift Arm until wheel is clear of ground and adjust wheel outward to appropriate setting for bale weight. See para 5, page 4.
4. Adjust tractor engine speed to give turntable speed of 16 - 25 r.p.m. NOTE: Speeds in excess of 25 r.p.m. will void Warranty.
5. Position turntable with cut and start unit facing front of machine.
6. Attach film tag end to gripper section of cut and start unit.
7. Rotate turntable anticlockwise through 90 degrees and stop turntable with cut and start unit opposite to lift arm.
8. Locate bale on lift arm, then raise lift arm and gently roll bale onto turntable. Lower arm.
9. Start wrapping, turntable rotating clockwise. Film tension is automatically set so that width of film applied to the bale stays at a constant width of 400mm for 500mm wide film roll and 600mm for 750mm wide film roll.
10. Continue wrapping until signal from bale indicator sounds (required number of revolutions has been reached). Then stop with cut and start facing towards front of machine and film aligned with gripper section of cut and start unit.
11. Tip bale from machine. When the machine is almost fully tipped the cut and start unit grips and cuts the film and the bale is then unloaded down the bale ramp.
12. Lower the turntable and rotate anticlockwise through 90 degrees and stop with cut and start unit opposite to lift arm.
13. Repeat operations 7 - 12 as required.
14. Ensure that 220mm dia idler roller mounting bearing is attached to correct set of mounting holes in mounting bracket to wrap square/rectangular or round bales. See fig A. below.
NOTE: The film end need only be attached at the start of a roll, after that the sequence is automatic.

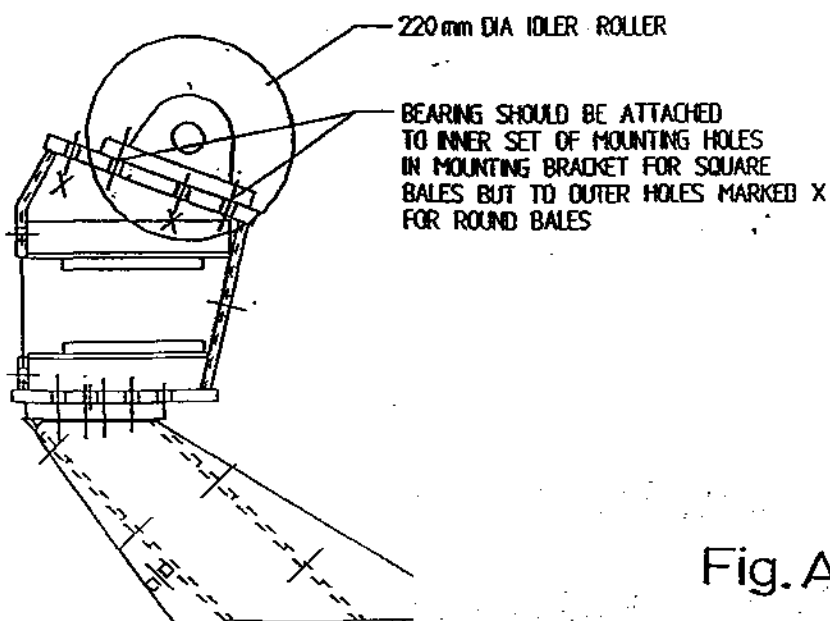


Fig. A

WARNING LIFT ARM

The Lift Arm on the trailed machine is designed to pick up and deposit bales onto the turntable prior to wrapping and to raise the machine while empty, to facilitate adjustment to sliding axle. It is not intended to be used or transporting bales over distances or for use as a stabiliser whilst wrapping.

Therefore any use of the lift arm outside its primary function will be deemed to be abuse and will void all warranty.

Programme 7: Machine Operation.

There are four separate settings for this programme depending on how the machine is being used. Two settings apply to the remote control models and two to the non remote models. Remote control mode with 90 degrees reverse not operational = Symbol r.

Remote control mode with 90 degrees reverse operational = Symbol R.

Non remote mode without 90 degrees reverse operational = Symbol o .

Non remote control mode with 90 degrees reverse operational = Symbol O.

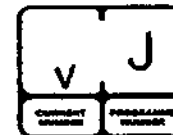
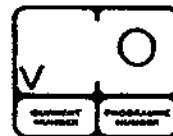
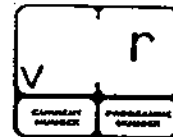
Programme 8: Tractor hydraulics.

Designed to convert the hydraulic system to suit open or closed centre hydraulics to tractor;

Closed centre = Symbol J

Open centre = Symbol n.

NOTE: An additional valve is required for operating in the J mode.



LOADING SEQUENCE FOR CLAAS QUADRANT BALES

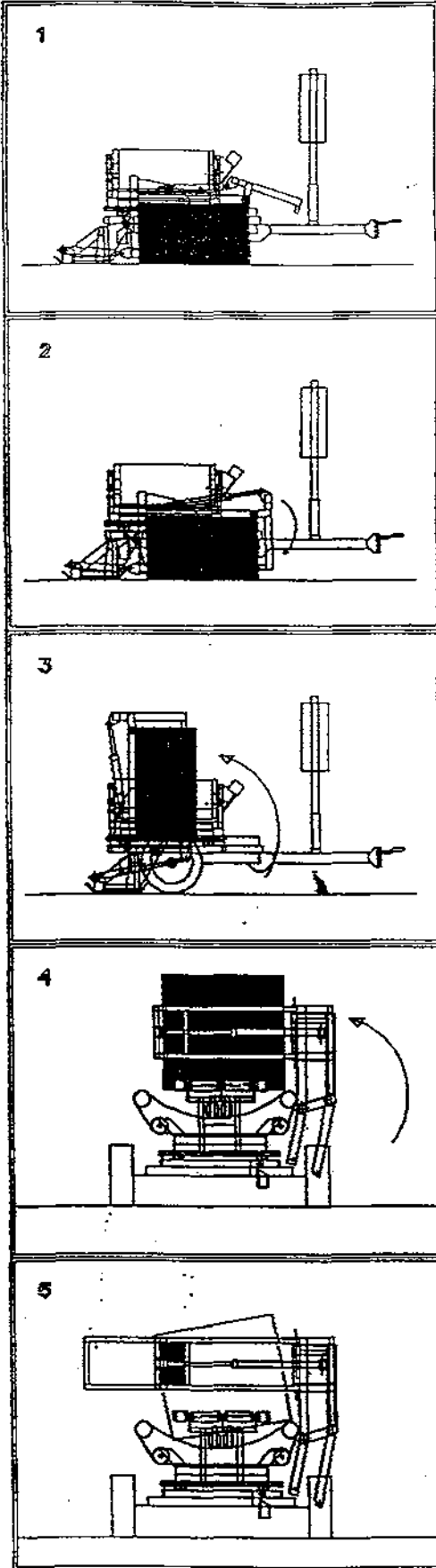


FIG. 1

WITH THE MAIN LOADING ARM DROPPED DOWN SO THAT IT RESTS LIGHTLY ON ITS SKIDS AND WITH THE GRIPPER ARM RAISED TO A HORIZONTAL POSITION, THE WRAPPER IS DRIVEN ALONGSIDE THE BALE SO THAT IT IS GATHERED SNUGLY INTO THE ARM.

FIG. 2.

THE GRIPPER ARM IS POWERED DOWN SO THAT IT SQUEEZES THE BALE AGAINST THE REAR OF THE FRAME.

FIG. 3.

THE BALE GRIPPER FRAME IS RAISED THROUGH 90° THUS LIFTING THE BALE INTO AN UPRIGHT POSITION.

FIG. 4.

THE COMPLETE LOADING ARM IS THEN RAISED UPWARD MOVING THE BALE IN AN ARC OVER THE TURNABLE SO THAT IT IS IN AN UPRIGHT POSITION BETWEEN THE TOP ROLLERS.

FIG. 5.

THE GRIPPER ARM IS THEN OPENED ALLOWING THE BALE TO SLIDE DOWN BETWEEN THE ROLLER ASSEMBLIES AND IDEALLY WITH ONE END RESTING ON THE TOP ROLLER AND THE OTHER END DOWN ON THE BALE BELT. THE COMPLETE LOADING ARM IS THEN MOVED CLEAR OF THE TURNABLE AND IDEALLY SET READY FOR THE NEXT BALE BEFORE WRAPPING COMMENCES.

WARNING:

THIS LOADING ARM IS DESIGNED TO LOAD BALES WHILE THE WRAPPER IS STATIONARY AND NOT WHILE ON THE MOVE. FAILURE TO OBSERVE THIS WILL LEAD TO PREMATURE BREAK UP WHICH WILL NOT BE COVERED BY WARRANTY.

WRAPPING SEQUENCE FOR A/W 1250 WITH CLAAS QUADRANT BALES

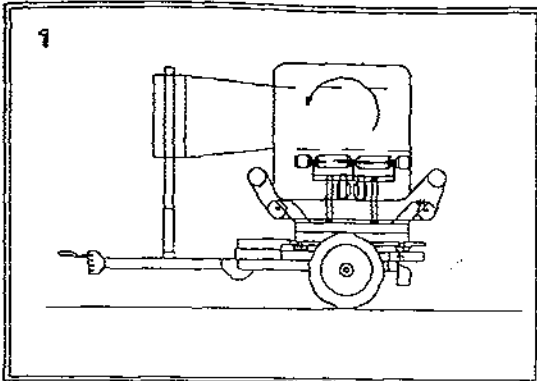


FIG. 1.

WITH THE FILM END SECURELY GRIPPED BY THE GRIPPER OF THE CUT & START AND WITH THE TURNTABLE ROTATING CLOCKWISE, FILM IS DRAWN THROUGH THE AUTOMATIC PRE STRETCHER BY THE BALE, WHICH ITSELF TURNS A GIVEN DISTANCE TWICE PER TURNTABLE REVOLUTION, CONTINUALLY PRESENTING FRESH PORTIONS OF THE BALE TO BE COVERED BY THE FILM.

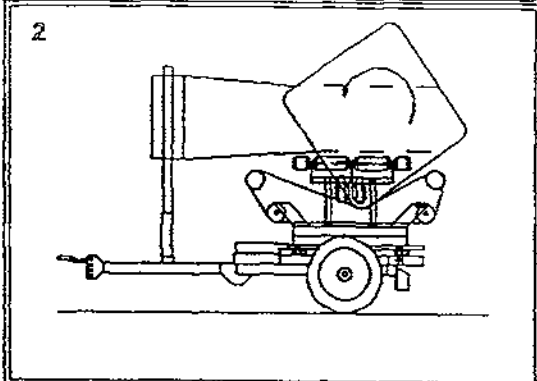


FIG. 2 & 3.

THE BALE CLIMBS UP THE TOP ROLLER PAST THE POINT OF BALANCE THEN TIPS OVER ONTO THE TOP ROLLER OPPOSITE AND KEEPS MOVING IN THIS MANNER FOR THE RECOMMENDED 20 REVOLUTIONS AT WHICH POINT IDEALLY, THE EDGE OF BALE WILL BE RESTING FLAT ON BALE BELT AS SHOWN IN FIG. 3.

THE TURNTABLE STOPS WITH OPEN CUT AND START LINED UP UNDER THE FILM.

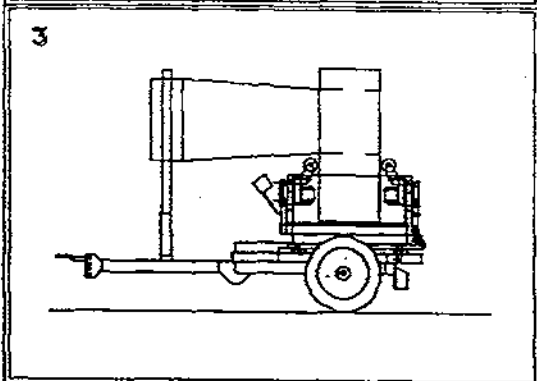


FIG. 4.

THE TURNTABLE IS TIPPED, AND THE FILM IS GATHERED UP BY THE EXTENDED CUT & START ROD.

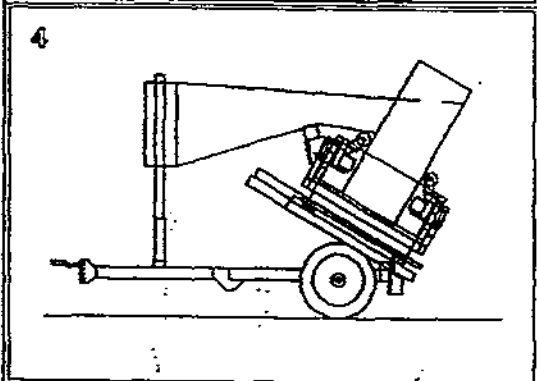
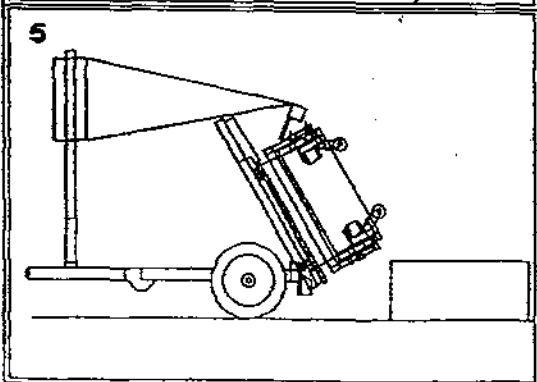


FIG. 5.

WHEN THE FILM IS FULLY GATHERED, THE CUT & START SNAPS CLOSED, GRIPPING THE FILM FOR THE NEXT BALE AND ALSO CUTTING THE FILM TO RELEASE THE BALE TO TIP OVER THE END ROLLERS WHICH PIVOT DOWN ALLOWING THE BALE TO ROLL OFF AND ONTO THE DROP MAT.



FILM OVERLAP SYSTEM

The Autowrap is fitted as standard with the 2 x 2 x 50% film overlap system. This is achieved by means of two indexing quadrants fitted with indexing rollers (see page 15 & 16) which ensure the correct number of film layers are applied to the bale after a specific number of revolutions of the turntable.

For silage bales we recommended the application of a minimum of four layers of film.

Bale	Width of Film Roll	Bale Wrap Indicator Setting (Revs)
Claas Quadrant 120cm x 120cm x 70cm	750mm	20

IMPORTANT

The above recommendations are only offered as a guide to correct wrapping of silage bales and the manufacturers accept no responsibility for variations that may arise and the consequences of same. They are based upon turntable speeds of up to 20 r.p.m. and a minimum film width of 630mm applied to the Bale. See page 5 and 7 for proper maintenance of the machine and its correct operation.

It is the responsibility of the operator to ensure the correct number of wraps are applied, as variances can occur with fluctuations in speed of rotation, film quality and tensioning, shape and density of bale etc.

SERVICE AND MAINTENANCE

1. All nuts and bolts should be tightened after some hours in use and thereafter regularly.
2. Wheel pressure should be normally kept at 42 psi depending on bale weight and field conditions.
3. Inspect moving parts for wear on daily basis.
4. Remove hydraulic motor guard daily and clean loose materials from drive pulley and tensioner roller. Replace guard and lock in position while ensuring it does not collide with rotating turntable assembly.
5. Lubrication.

Drive chain & sprocket	-	grease every 24 hours.
End rollers	-	grease every 24 hours.
Main rollers	-	grease every 24 hours.
Hinge pins on Lift arm	-	grease every 24 hours.
Hinge pins on main tip frame	-	grease every 24 hours.
Hydraulic rams	-	grease every 24 hours.
Wheel bearings	-	grease every 24 hours.
Film reel assy.	-	grease every 24 hours.
Dispenser slave roller	-	oil every 24 hours.
Dispenser gearboxes	-	grease sparingly each month with lithium grease
Main spindle	-	grease every 4000 - 5000 bales.
6. Adjustments

Secondary drive chain	:	Adjust after first days work then tension.	every 50 hours.
Primary drive chain	:	Adjust after first days work then tension	check/adjust every 200 hours.
			See Fig 2.
Toothed drive belt	:	Adjust tension if slippage occurs	See Fig 3.
Main conveyor belt	:	See belt tracking instuction.	
7. Film Dispenser

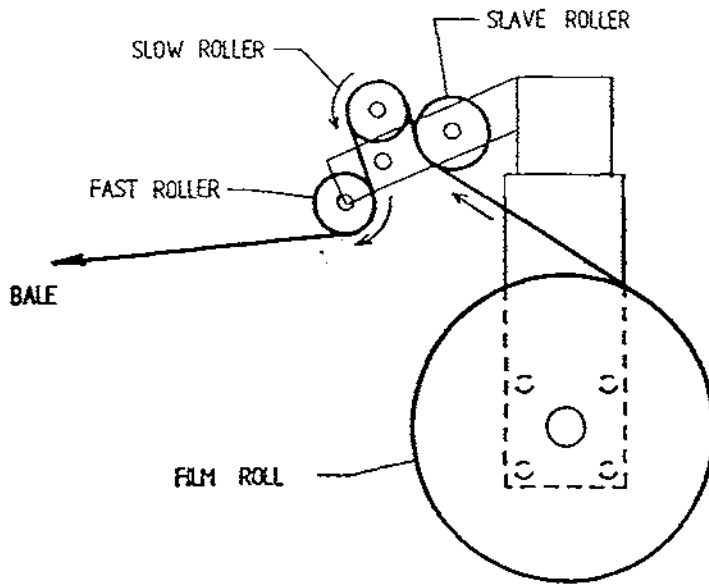
Fit with plunger at top.
Apply one shot of Lithiu Grease
Wash rollers often to avoid build up of Tack from film.
Follow Film threading diagram. See Fig 1.
8. Film Adjustment

Centre of film roll must be in line with centre of bale and film mast should be vertical.

SERVICE AND MAINTENANCE (CNT.)
HYDRAULIC FILTER

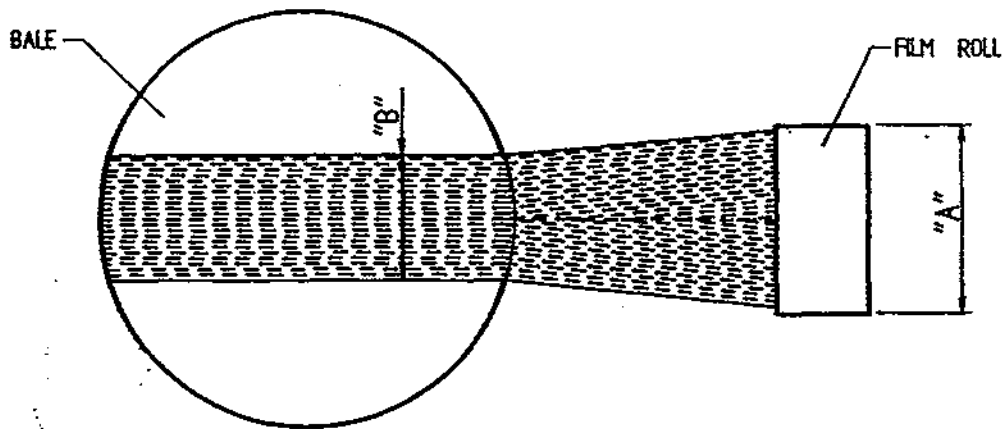
1. Before connecting Autowrap to tractor, change oil in tractor hydraulic system and replace hydraulic filter.
2. After 25 hours max. it will be necessary to replace the element in Autowrap filter.
3. For maintenance purposes it is necessary to change the element after 200 working hours.
4. The element cannot be just cleaned and put back into the filter.

TANCO AUTOWRAP FILM THREADING DIAGRAM



FILM ADJUSTMENT

CENTRE OF FILM ROLL MUST BE IN LINE WITH CENTRE OF BALE AND FILM MAST SHOULD BE VERTICAL.



FILM ROLL WIDTH "A"	FILM WIDTH ON END OF BALE "B"
500 mm	400 mm
750 mm	600 mm

Fig. 1

FILE NAME W060-LA21

TANCO AUTOWRAP 1995 DRIVE BELT TENSIONING SYSTEM

BELT TENSIONING PROCEDURE

1. CHECK THAT HYDRAULIC MOTOR MOUNTING BRACKET IS SECURE IN POSITION.
2. LOOSEN M10 BOLT WHICH CLAMPS BELT TENSIONER BODY TO MOTOR MOUNT.
3. TENSION BELT BY ADJUSTING TENSIONER USING SPANNER IN DIRECTION OF ARROW "X" UNTIL SETTING OF 30 IS REACHED.
4. RE-TIGHTEN M10 BOLT TO SECURE TENSIONER IN POSITION.

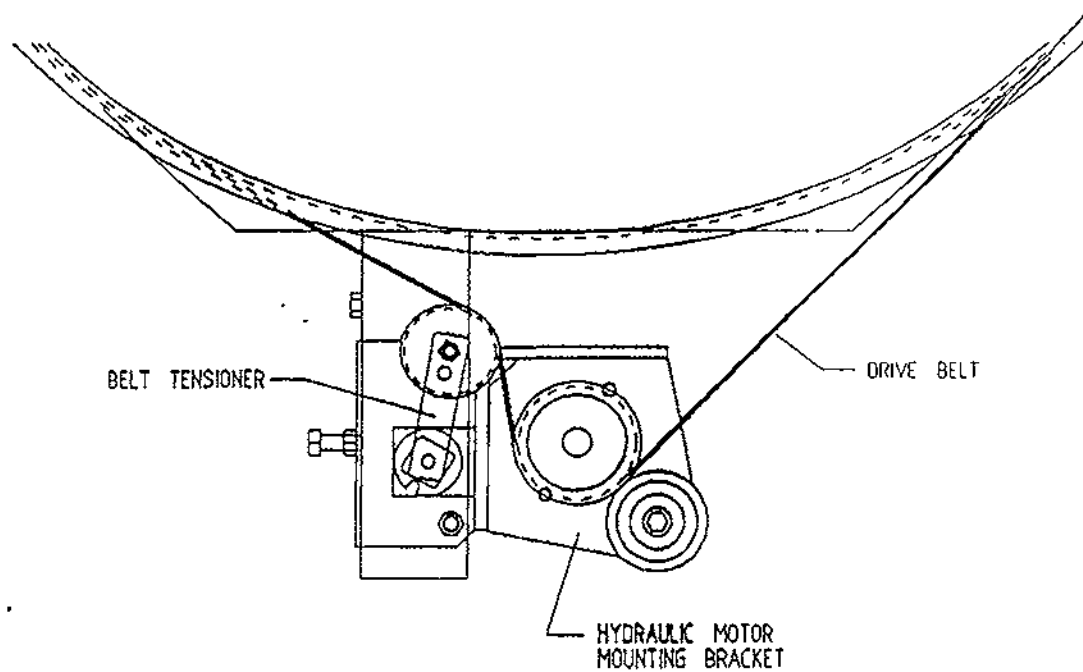
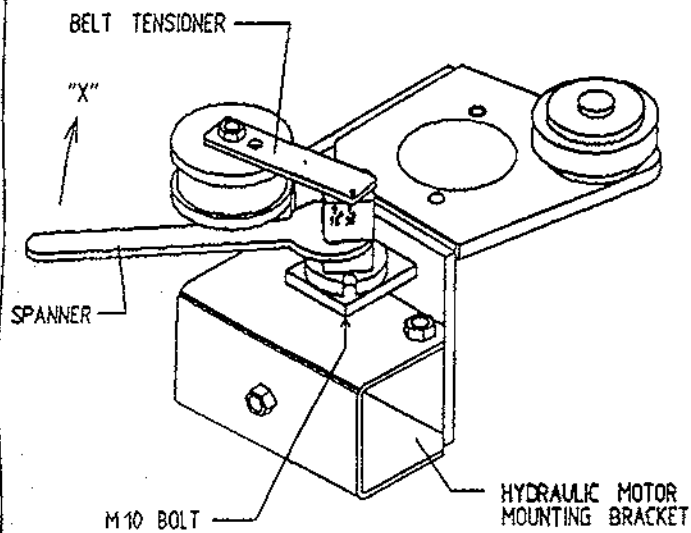
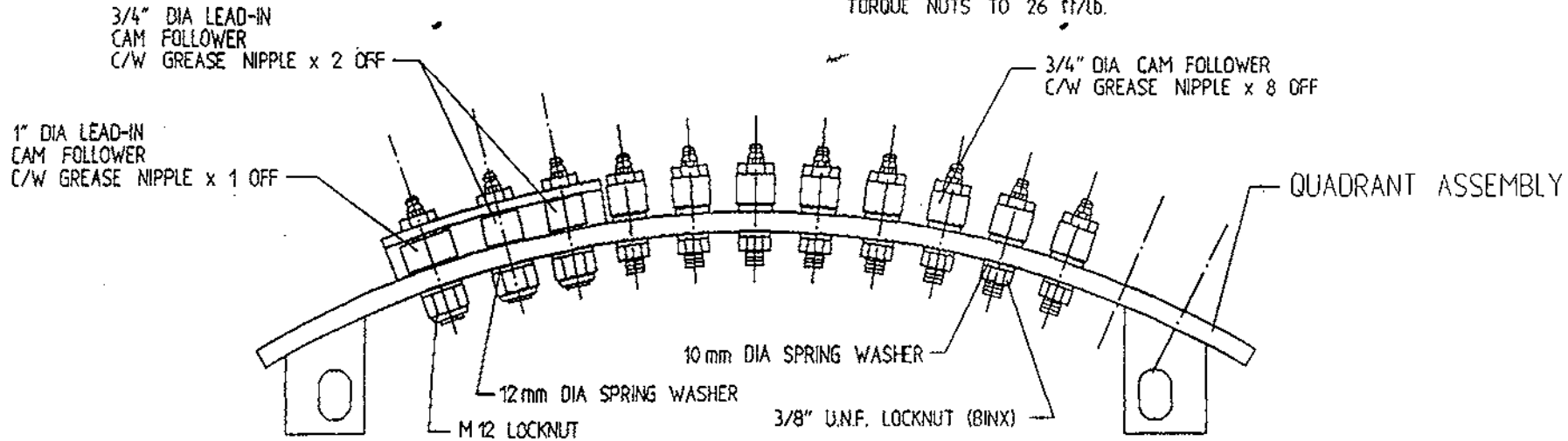


Fig. 3

TANCO AUTOWRAP 1250 MODEL 1995 QUADRANT ASSEMBLY INSTRUCTIONS

NOTE:

WHEN FITTING 3/4" CAM FOLLOWERS TO
QUADRANT ASSEMBLY IT IS NECESSARY TO
TORQUE NUTS TO 26 ft/lb.



PLAN VIEW OF QUADRANT ASSEMBLY

NOTE:

ENSURE THAT M20 HEX HD. BOLT x 110 mm LONG
USED TO MOUNT 4" DIA SUPPORT WHEELS ON
TURNABLE ASSEMBLY IS POSITIONED WITH BOLT
HEAD TO INSIDE TO AVOID FOULING 3/4" DIA
CAM FOLLOWER.

2 OFF REQUIRED PER M/C

Brake Timing Instructions.

The correct setting of the indexing system is essential to ensure proper bale rotation and correct film overlap. The indexing shaft is fitted with a brake to hold the bale in position after it has rotated. The engaging and disengaging of the brake is actioned by the brake trailing arm roller riding over the brake ramp, releasing the brake and allowing the indexing shaft to rotate. It is essential that the brake is released when the sprocket of the indexing shaft engages with the first cam follower and that it is reapplied when the sprocket releases from the last cam follower. This is factory preset and should only require occasional checking or adjustment.

Adjustment of this timing is as follows.

1. With a 17mm spanner, slacken the clamping bolt under the drive belt tensioner until free. This will allow manual rotation of the turntable.
2. The brake spring is extended so that there is a 0.50mm gap between its coils (Fig 10.).
3. Set the gap between the brake trailing arm roller and the floor to 5 - 7 (fig. 10). Note: This gap will decrease as the brake lining wears. If the spring is adjusted this distance must also be reset.
4. Adjust the brake trailing arm so that the brake disengages as the leading tooth of the indexing sprocket passes over the first cam follower. (See Fig 11). As a rule this is when the brake trailing arm roller is half way up the slope of the ramp.
5. Run the sprocket across the cam followers. Two settings should be checked;
 - (i) That the gap between the sprocket and cam follower is 4mm (fig 12.). To adjust this remove shims under the quadrant assembly.
 - (ii) That the clearance between the sprocket and the quadrant is 5 -7 mm (Fig 13.) The quadrant assembly can be moved in or out to adjust.
6. Adjust the long brake ramp so that the brake disengages as the bottom sprocket tooth passes over the last cam follower. (Fig 14.).
7. Repeat this procedure on the opposite quadrant.

BRAKE TIMING INSTRUCTIONS

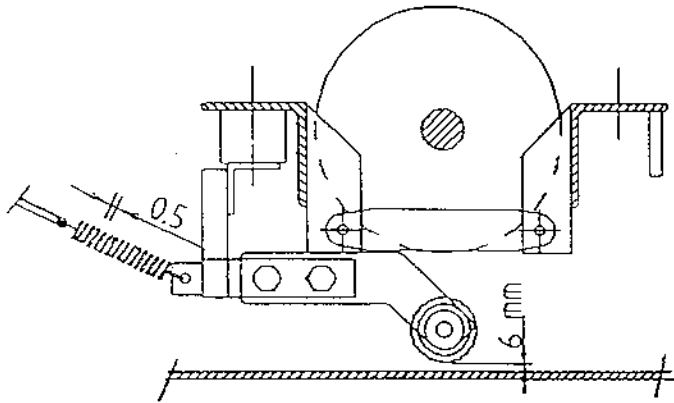
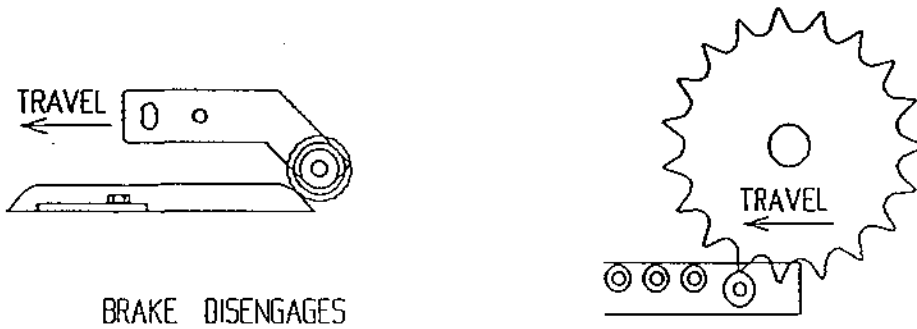


Fig 10



BRAKE DISENGAGES

Fig 11

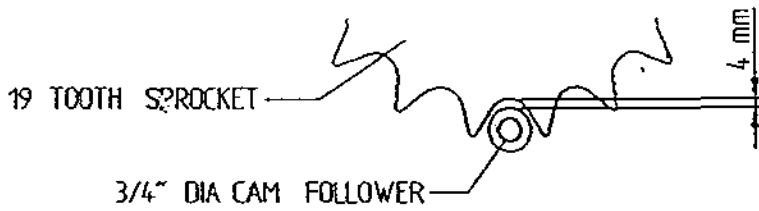


Fig 12

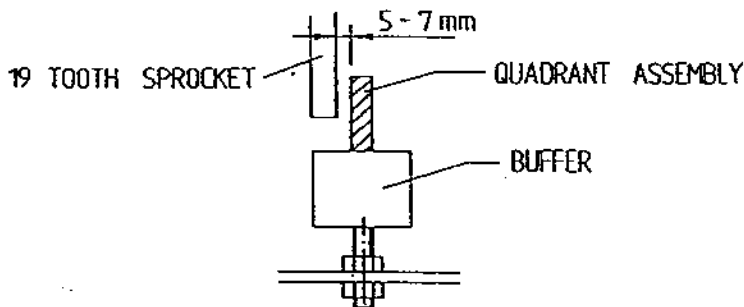
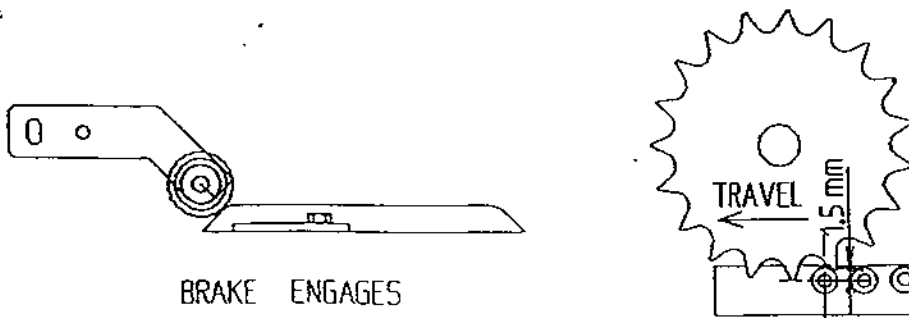


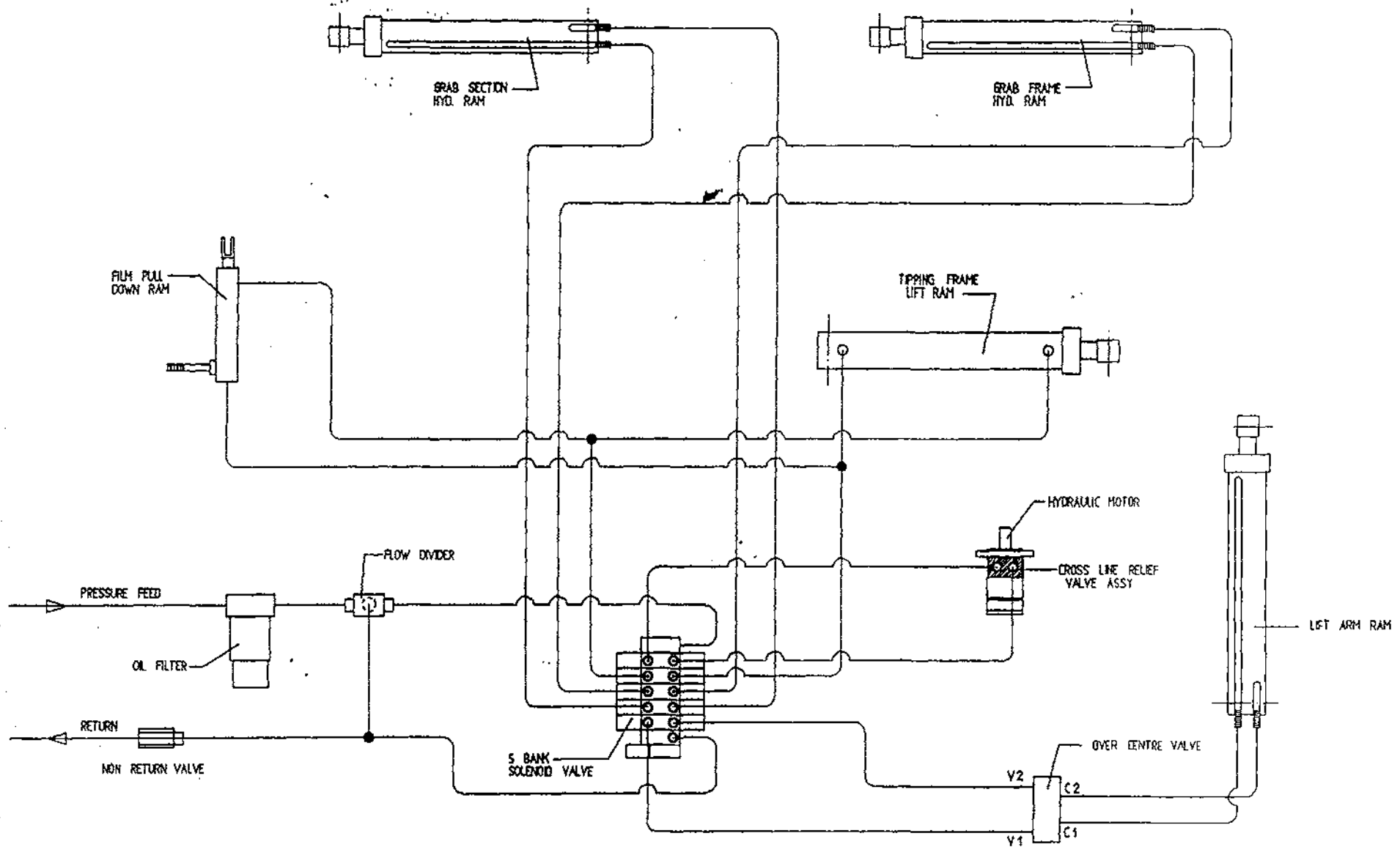
Fig 13



BRAKE ENGAGES

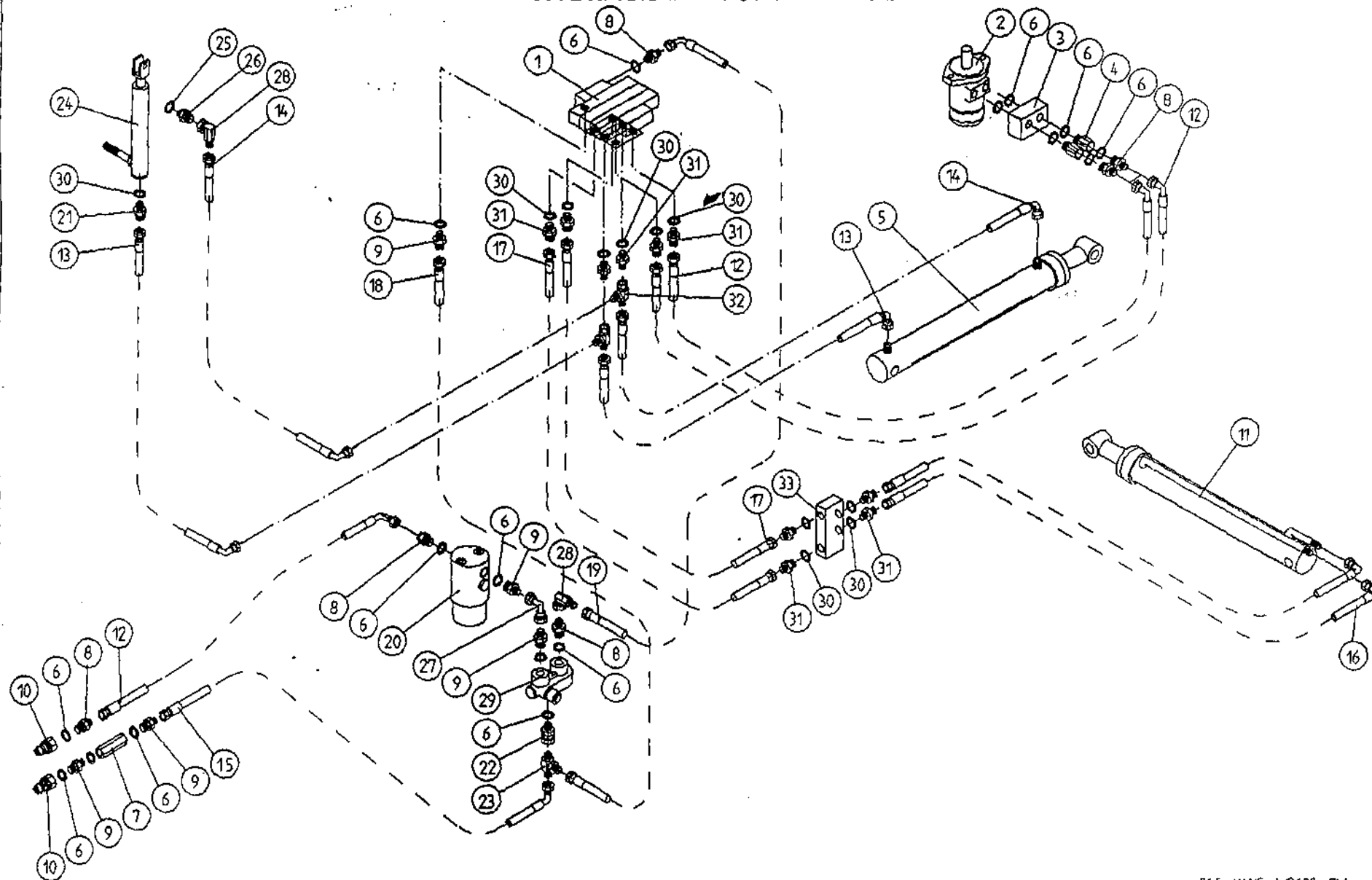
Fig 14

TANCO AUTOWRAP 1250 A MODEL - HYDRAULIC CIRCUIT DIAGRAM



FILE NAME W062 - HC 12

TANCO AUTOWRAP 1250A MODEL (1994)
HYDRAULIC COMPONENTS



WD625-PL4

TANCO AUTOWRAP 1250A MODELS (1994)

HYDRAULIC COMPONENTS

PARTS LIST

ITEM NO.	DESCRIPTION	QTY	PART-NO.
1.	5 BANK SOLENOID VALVE	1	Z01-03-10-A5
2.	HYDRAULIC MOTOR C.L.	1	Z01-02-AR75
3.	CROSS LINE RELIEF VALVE	1	Z01-03-002
4.	1/2" B.S.P. BOTTOM BANJO BOLT (SPECIAL)	2	Z01-18-081
5.	HYDRULIC RAM (TIPPING FRAME)	1	Z01-01-AR687
6.	1/2" DOWTY WASHER	17	Z01-04-03
7.	1/2" NON RETURN VALVE	1	Z01-03-017
8.	1/2" X 3/8" ADAPTOR	6	Z01-06-06-08
9.	1/2" X 1/2" ADAPTOR	5	Z01-06-08-08
10.	1/2" MALE END Q/R COUPLING	2	Z01-15-081
11.	HYD. RAM (FOR LIFT ARM)	1	Z01-01-AW
12.	96" ST/90 3/8" D/W HOSE	3	Z38-R2-96-S9
13.	60" ST/90 3/8" D/W HOSE	2	Z38-R2-60-S9
14.	72" ST/90 3/8" D/W HOSE	2	Z38-R2-72-S9
15.	96" ST/90 1/2" D/W HOSE	1	Z12-R1-96-S9
16.	120" ST/90 3/8" D/W HOSE	2	Z38-R2-120S9
17.	16" ST/ST 3/8" D/W HOSE	2	Z38-R2T-17SS
18.	24" ST/90 1/2" D/W HOSE	1	Z12-R2-24-S9
19.	24" ST/90 3/8" D/W HOSE	1	Z38-R2-24-S9
20.	FILTER	1	Z01-24-08
21.	3/8" X 3/8" ADAPTOR FITTED WITH 0.06" RESTRICTOR.	1	Z01-03-40
22.	1/2" MALE X 1/2" FEMALE ADAPTOR	1	Z01-05-08-08
23.	1/2" MALE "T" PIECE	1	Z01-11-003
24.	HYD. RAM D/A (PULL DOWN ARM)	1	Z01-01-AW25
25.	1/4" DOWTY WASHER	1	Z01-04-01
26.	1/4" X 3/8" ADAPTOR	1	Z01-06-04-06
27.	1/2" FEMALE X 1/2" FEMALE 90 ELBOW	1	Z01-14-018
28.	3/8" MALE/FEMALE 90 ELBOW	2	Z01-14-015
29.	IN LINE FLOW DIVIDER	1	Z01-03-10-A6
30.	3/8" DOWTY WASHER	11	Z01-04-02
31.	3/8" X 3/8" ADAPTOR	10	Z01-06-06-06
32.	3/8" MALE X 3/8" MALE X 3/8" FEMALE "T" PIECE	2	Z01-12-002
33.	OVER CENTRE VALVE	1	Z01-03-10-A8

INSTRUCTION FOR FITTING TWO WAY SOLENOID VALVE TO TANCO AUTOWRAP MODELS 400A, 500A, 1050A, 1250A.

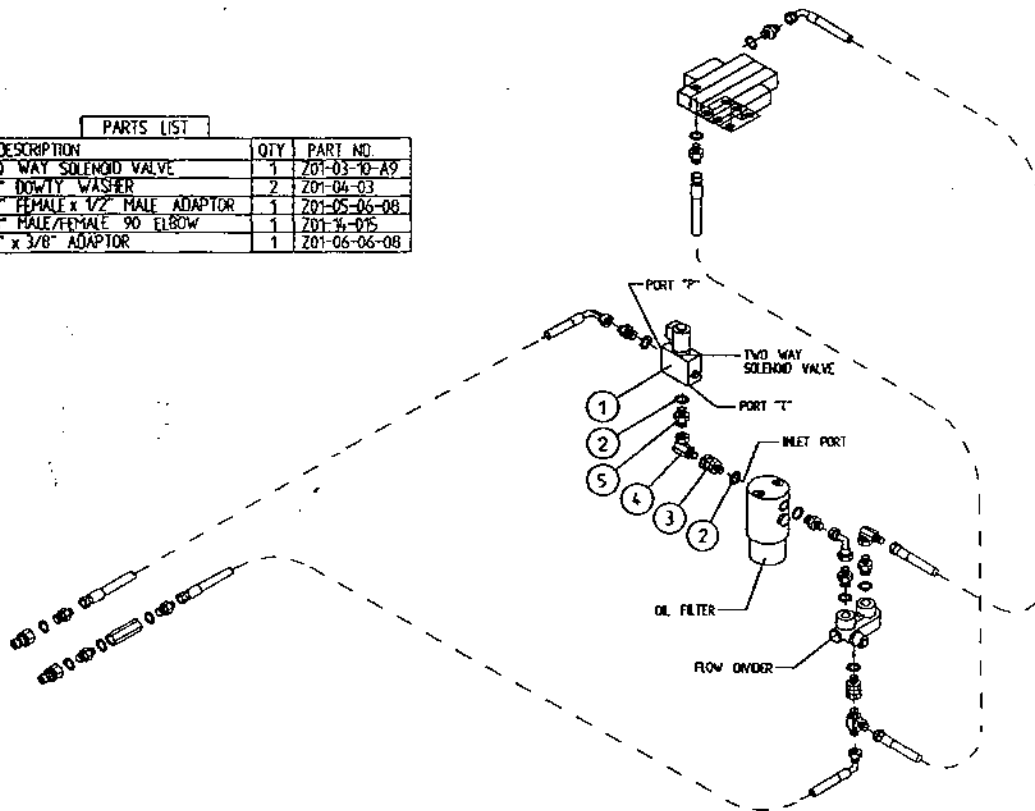
REQUIRED WHEN OPERATING MACHINES ON TRACTORS WITH CLOSED CENTRE HYDRAULIC SYSTEMS.

1. Disconnect st/90 hose from inlet port on oil filter.
2. Connect port "T" on solenoid valve assembly to inlet port on oil filter.
3. Reconnect st/90 hose to port "P" on solenoid valve.
4. Connect 2 pin female connector to existing 2 pin connector at junction box.
5. Change the seventh controller function setting from n to J. See instruction manual for further information.

**TANCO AUTOWRAP 400A/500A/1050A/1250A MODEL (1994)
TWO WAY SOLENOID VALVE KIT PART NO. Z01-03-018A**

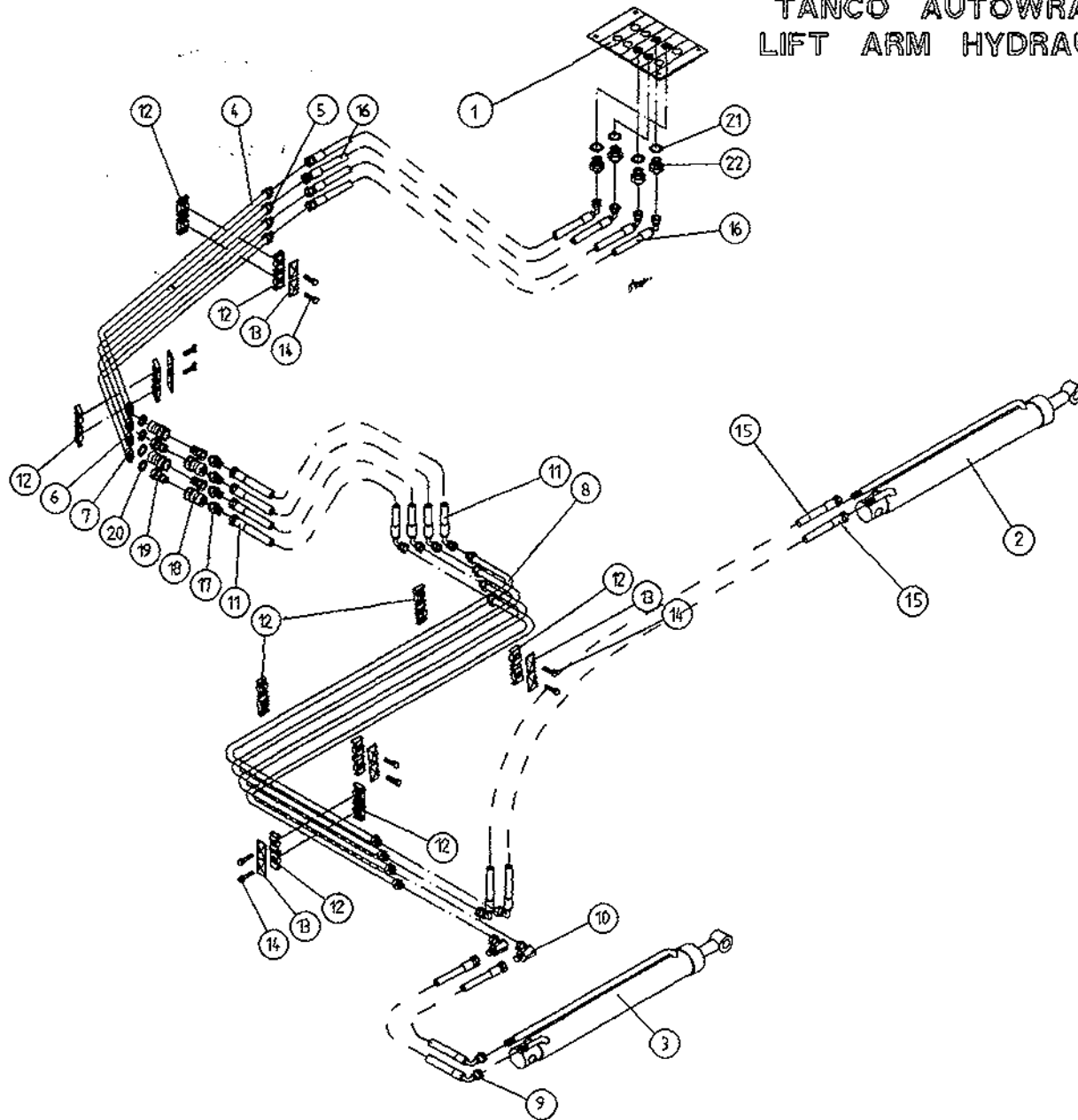
PARTS LIST

ITEM NO	DESCRIPTION	QTY	PART NO
1	TWO WAY SOLENOID VALVE	1	Z01-03-0-A9
2	1/2" DOWTY WASHER	2	Z01-04-03
3	3/8" FEMALE x 1/2" MALE ADAPTOR	1	Z01-05-06-08
4	3/8" MALE/FEMALE 90 ELBOW	1	Z01-3-075
5	1/2" x 3/8" ADAPTOR	1	Z01-06-06-08



FILE NAME 9228C

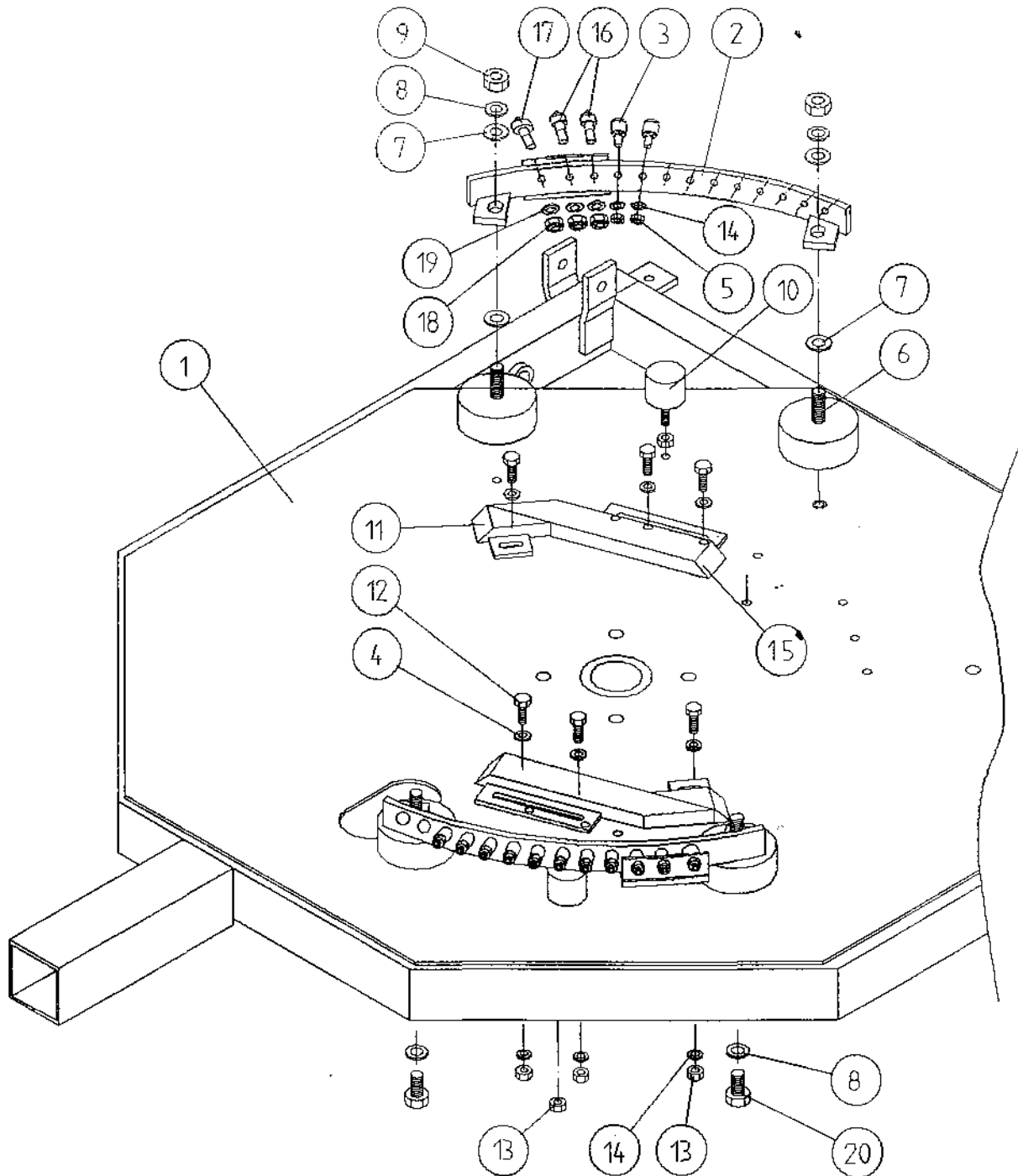
TANCO AUTOWRAP 1250A MODEL
LIFT ARM HYDRAULIC COMPONENTS



TANCO AUTOWRAP 1250A MODEL 1994
LIFT ARM HYDRAULIC COMPONENTS
PARTS LIST

ITEM NO.	DESCRIPTION	QTY	PART-NO
1.	5 BANK SOLENOID VALVE	1	Z01-03-10-A5
2.	HYDRAULIC RAM D/A	1	Z01-01-140
3.	HYDRAULIC RAM D/A	1	Z01-01-140S
4.	HYDRAULIC PIPE (CHASSIS)	1	WD625-070
5.	HYDRAULIC PIPE (CHASSIS)	1	WD625-071
6.	HYDRAULIC PIPE (CHASSIS)	1	WD625-072
7.	HYDRAULIC PIPE (CHASSIS)	1	WD625-073
8.	HYDRAULIC PIPE (LIFT ARM)	4	WD625-HP
9.	12" ST/90 3/8" D/W HOSE	2	Z38-R2-12-S9
10.	3/8" MALE/FEMALE 90 ELBOW	2	Z01-14-015
11.	36" ST/90 3/8" D/W HOSE	4	Z38-R2-36-S9
12.	PIPE CLAMP TOP/BOTTOM (DOUBLE)	10	Z01-24-26
13.	TOP CLAMPING PLATE	10	Z01-24-28
14.	M8 HEX HD BOLT X 35MM LONG	10	Z26-042B
15.	48" ST/90 3/8" D/W HOSE	2	Z38-R2-48-S9
16.	24" ST/90 3/8" D/W HOSE	4	Z38-R2-24-S9
17.	3/8" X 3/8" ADAPTOR	4	Z01-06-06-06
18.	3/8" FEMALE Q/R COUPLING	4	Z01-15-062
19.	3/8" MALE Q/R COUPLING	4	Z01-15-061
20.	3/8" DOWTY WASHER	4	Z01-04-02
21.	1/2" DOWTY WASHER	4	Z01-04-03
22.	1/2" X 3/8" ADAPTOR	4	Z01-06-06-08

TANCO AUTOWRAP 1250 MODEL 1995
INDEXING QUADRANT ASSY 50% OVERLAP
WITH 750 mm FILM



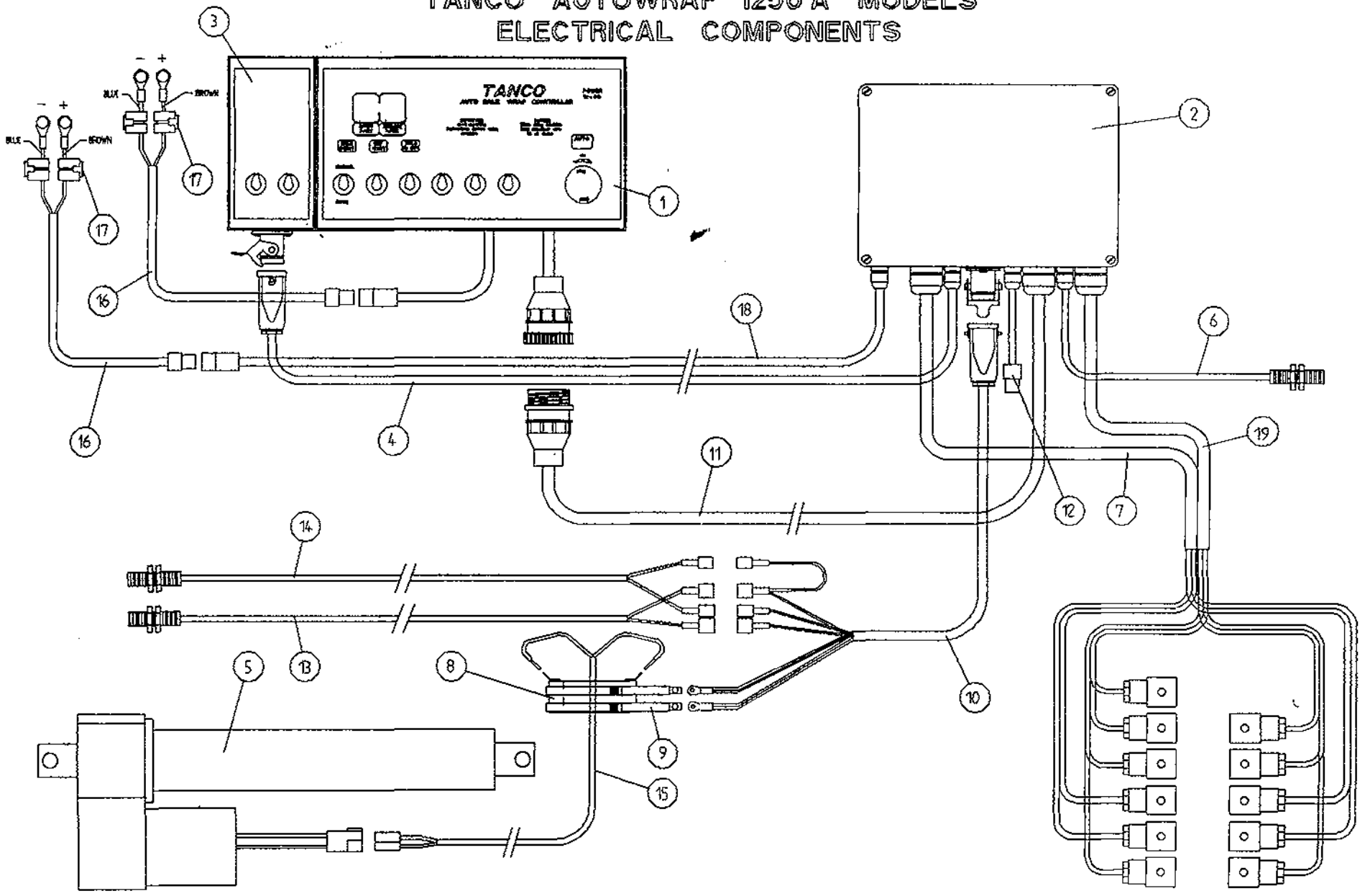
FILE NAME WD610-QA6

TANCO AUTOWRAP 1250 1995
PARTS LIST

INDEXING QUADRANT ASSEMBLY (50% OVERLAP) WITH 750MM WIDE FILM ROLL

ITEM NO.	DESCRIPTION	QTY	PART-NO.
1.	TIPPING FRAME ASSY	1	WD60-TF
2.	QUADRANT ASSY	2	WD625-QA
3.	3/4" DIA CAM FOLLOWER (HEAVY DUTY) C/W GREASE NIPPLE	14	Z06-425
4.	10MM DIA FLAT WASHERS	6	Z11-02-10
5.	3/8" UNF LOCKNUTS (BINX)	14	Z20-06
6.	RUBBER BUFFER 100MM DIA X 40MM LONG	4	Z40-22
7.	16MM DIA FLAT WASHERS	18	Z10-02-16
8.	16MM DIA SPRING WASHERS	8	Z12-02-16
9.	M16 HEX NUT	8	Z18-16
10.	RUBBER BUFFER 50MM DIA X 25MM LONG	2	Z40-23
11.	CAM ASSY (SHORT)	2	WD623-CAS
12.	M10 HEX HD SET X 30MM LONG	6	Z26-062S
13.	M10 HEX NUT	8	Z18-10
14.	10MM DIA SPRING WASHER	24	Z12-02-10
15.	CAM ASSY (LONG)	2	WD623-CAL
16.	3/4" DIA LEAD-IN CAM FOLLOWER	4	Z06-427
17.	1" DIA LEAD-IN CAM FOLLOWER	2	Z06-428
18.	M12 HEX HD LOCKNUT (NYLOCK)	3	Z23-12
19.	12mm DIA SPRING WASHER	3	Z12-02-12
20.	M16 HEX HD SET x 30mm LONG	4	Z26-120S

TANCO AUTOWRAP 1250 A MODELS ELECTRICAL COMPONENTS



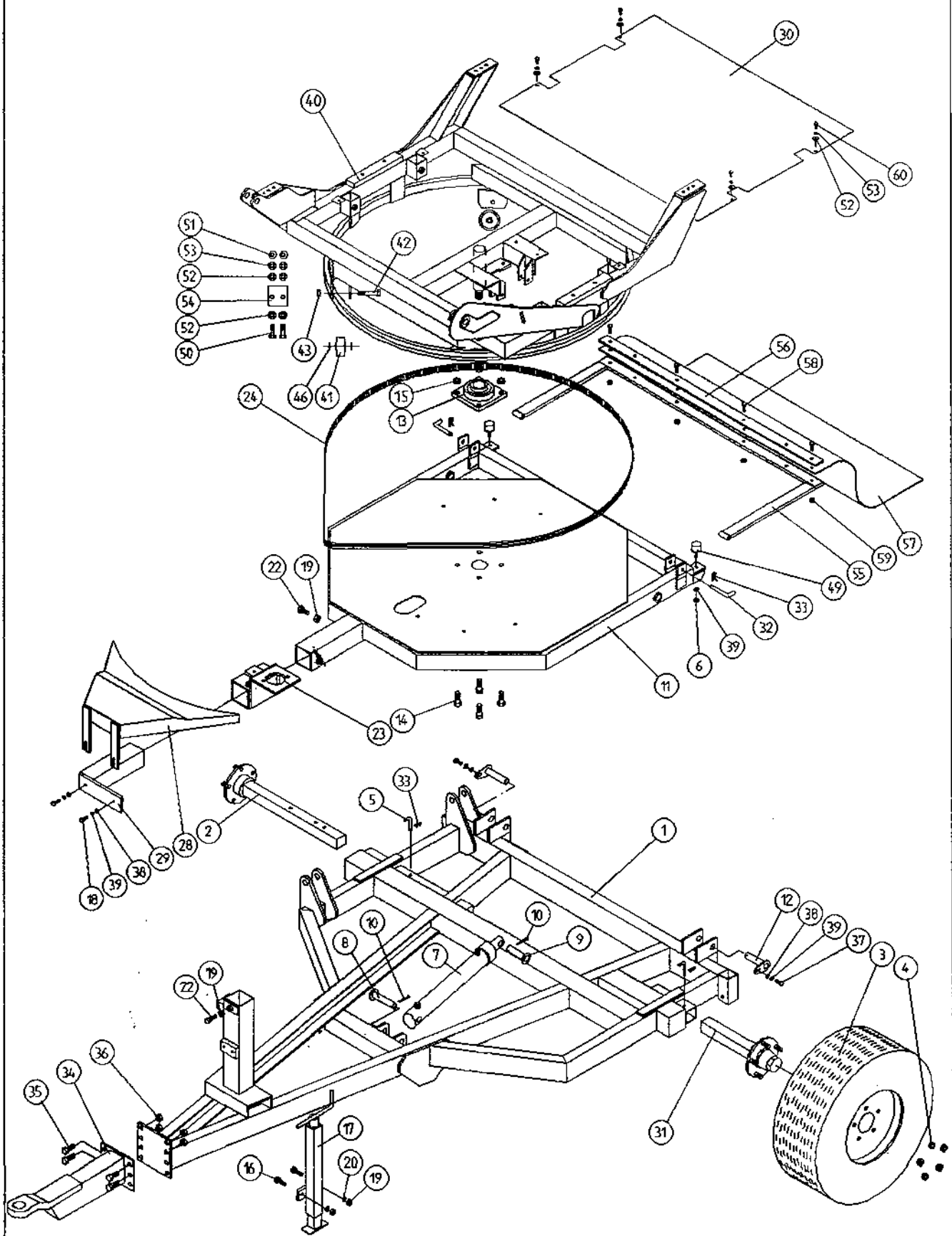
35

9227F

TANCO AUTOWRAP 1250A MODELELECTRICAL COMPONENTSPARTS LIST

ITEM NO	DESCRIPTION	QTY	PART-NO.
1.	CONTROL BOX	1	D606
2.	JUNCTION BOX (5 BANK VALVE)	1	ZDG-JB5
3.	ADDITIONAL CONTROL BOX FOR 1250A MODEL	1	ZDG-RCB
4.	LEAD FOR ADDITIONAL CONTROL BOX C/W HEARTING PLUG.	1	ZDG-CB
5.	WARNER LINEAR ACTUATOR	1	ZD605-510
6.	LIFT ARM SENSOR	1	ZD606-LAS
7.	ADDITIONAL LOOM FOR VALVE C/W HIRCHMANN FOR 1250A	1	ZD606-010
8.	SLIP RING ASSY	1	ZD605-308
9.	BRUSHES	1	ZD606-302
10.	7 CORE CABLE C/W HEARTING PLUG	1	D605-7C
11.	24 CORE INTER CONNECTING LEAD C/W CONNECTORS	1	D605-24C
12.	SYSTEM PRESSURE LEAD	1	ZD605-070
13.	ROTATING SENSOR	1	ZD606-RS
14.	TIP SENSOR	1	ZD606-TS
15.	TWO CORE CABLE FOR SLIP RING	1	D605-02C
16.	MAIN BATTERY LEAD	2	ZD606-030
17.	IN-LINE FUSE	4	ZD606-100
18.	MAIN LEAD FOR JUNCTION BOX	1	ZD606-050
19.	LOOM FOR VALVE C/W HIRSCHMAN	1	ZD606-081

TANCO AUTOWRAP 1250A MODELS MAIN ASSEMBLY

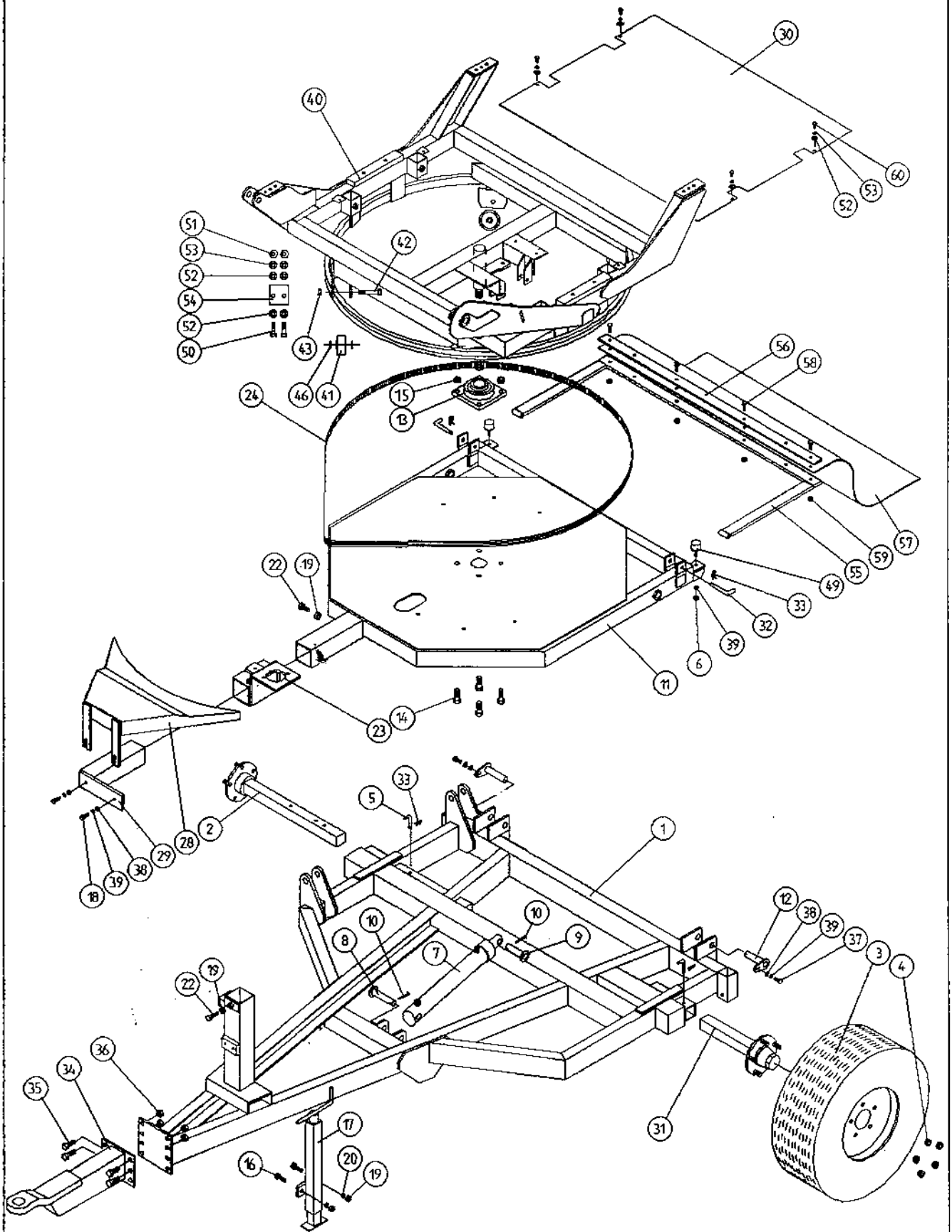


WD610 - PL5

**TANCO AUTOWRAP 1250 A MODEL
MAIN ASSEMBLY
PARTS LIST**

ITEM NO	DESCRIPTION	QTY	PART-NO.
1.	CHASSIS ASSY	1	WD60-CHA
2.	STUB AXLE (LONG)	1	Z04-033
3.	WHEELS	2	Z04-03
4.	WHEEL NUTS	10	M22AWNA
5.	BISSEL PIN	1	Z03-22-AW82
6.	M10 HEX NUT	2	Z18-10
7.	HYD. RAM	1	Z01-01-AR687
8.	RAM BOTTOM PIVOT PIN	1	Z03-02-330
9.	RAM TOP PIVOT PIN	1	Z03-03-50
10.	2" X 1/4" SPLIT PIN	2	Z02-21-29
11.	TIPPING FRAME ASSY	1	WD60-TF
12.	TIPPING FRAME PIVOT PIN C/W GREASE NIPPLE	2	Z03-01-905
13.	2" DIA FLANGE BEARING	1	Z06-49EC
14.	5/8" UNF HEX HD SET X 2" DIA	4	Z30B-064
15.	5/8" UNF LOCKNUT	4	Z20-10
16.	M12 HEX HD SET X 40MM LONG	2	Z26-084S
17.	SCREW JACK ASSY	1	WD60-JA
18.	M10 HEX HD ST X 30MM LONG	2	Z26-023
19.	M12 HEX NUT	5	Z18-12
20.	12MM DIA SPRING WASHER	2	Z12-02-12
22.	M12 HEX HD SET X 30MM LONG	2	Z26-082S
23.	HYD MOTOR MOUNTING ASSY	1	WD60-HMB
24.	170" LONG X 1/2" PITCH X 1" WIDE TOOTHED BELT	1	Z05-02-AW2
28.	HYD MOTOR GUARD ASSY	1	WD60-HMG
29.	HYD MOTOR GUARD MOUNTING BRACKET	1	WD60-HAMB
30.	TURN TABLE COVER PLATE	1	WD612-022
31.	STUB AXLE (SHORT)	1	Z04-032
32.	BISSEL PIN	2	Z03-22-AW100
33.	4MM "R" CLIP	4	Z36-02
34.	HITCH ASSY	1	WD65-HIT
35.	M16 HEX HD SET X 45MM LONG	4	Z26-123S
36.	M16 LOCKNUTS	4	Z23-16
37.	M10 HEX HD SET X 25MM LONG (TUFLOCK)	2	Z26-061S
38.	10MM DIA MACHINES FLAT WASHER	4	Z11-02-10
39.	10MM DIA SPRING WASHER	5	Z12-02-10
40.	TURNTABLE ASSY	1	WD610-TA
41.	SUPPORT WHEELS(4" DIA)	4	Z06-466
42.	AXLE ASSY C/W GREASE NIPPLE	4	Z03-22-AW/AX Z39-60
43.	M20 LOCKNUTS	4	Z23-20
46.	SPACER	8	Z18-12
49.	BUFFER 50MM LONG DIA X 40MM LONG	2	Z40-20
50.	M8 HEX HD SET X 20MM LONG	4	Z26-039S
51.	M8 HEX NUT	4	Z18-08
52.	8MM DIA FLAT WASHER (MUD FLAT)	8	Z11-02-08
53.	8MM DIA SPRING WASHER	8	Z12-02-08
54.	SCRAPER	2	WD60-705
55.	RUBBER MAT MOUNTING ASSY	1	WD63-MMF
56.	CLAMPING PLATE	1	WD63-1300

TANCO AUTOWRAP 1250A MODELS MAIN ASSEMBLY



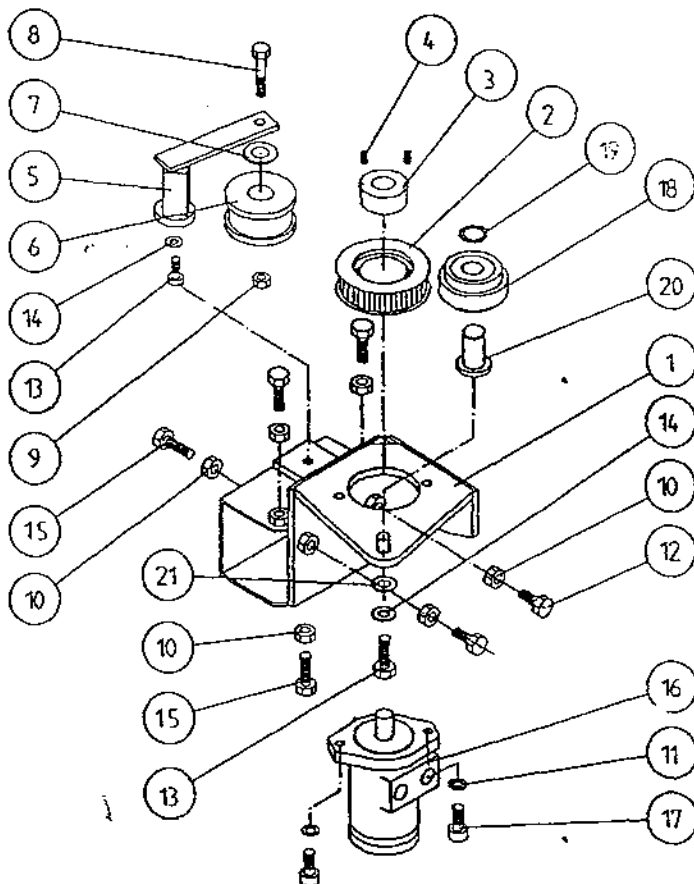
WD810 - PL5

TANCO AUTOWRAP 1250A MODEL
MAIN ASSEMBLY

PARTS LIST

ITEM NO	DESCRIPTION	QTY	PART-NO
57.	BALE MAT	1	Z05-02AW
58.	M8 HEX HD BOLT X 50MM LONG	4	Z26-045B
59.	M8 LOCKNUTS	4	Z23-08
60.	M8 CHEESE HD ST X 20MM LONG	4	Z13-19-08-20

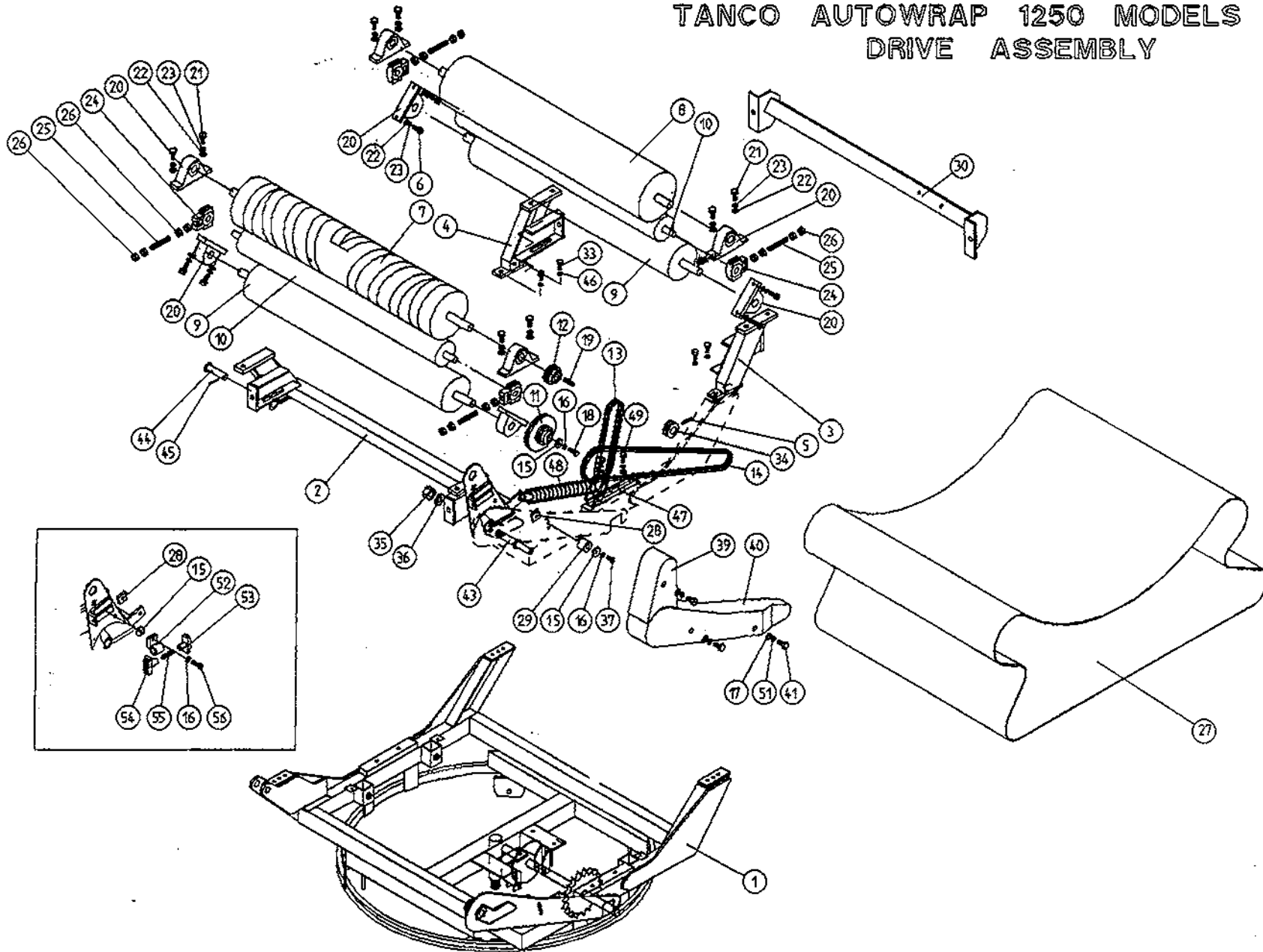
**TANCO AUTOWRAP 1995 MODEL
HYDRAULIC MOTOR DRIVE ASSEMBLY**



PARTS LIST

ITEM NO.	DESCRIPTION	QTY.	PART-NO.
1.	HYDRAULIC MOTOR MOUNTING ASSY.	1	WD610-HMB
2.	95 SQ. AW TIMING PULLEY	1	Z09-005-AWL-95
3.	TAPER LOCK BUSH TO SUIT 1" DIA SHAFT	1	Z06-AW21
4.	M10 STUDS X 15MM	2	Z28-01
5.	ROSTA TENSIONING UNIT ARM	1	Z06-454
6.	STEPPED ROLLER C/W BEARINGS	1	Z06-456
7.	SPACER	1	WD60-798
8.	M10 HEX HD BOLT X 60MM LONG	1	Z26-067B
9.	M10 LOCKNUT	1	Z23-10
10.	M12 HEX NUT	6	Z18-12
11.	12MM DIA SPRING WASHER	2	Z12-02-12
12.	M12 HEX HD SET X 30MM LONG	2	Z26-082S
13.	M10 HEX HD SET X 30MM LONG	2	Z26-062S
14.	10MM DIA SPRING WASHER	2	Z12-02-10
15.	M12 HEX HD SET X 40MM LONG	6	Z26-084S
16.	HYDRAULIC MOTOR C.L.	1	Z01-02-AR75
17.	M12 SOCKET HD SCREW X 30MM LONG	2	Z13-6-12X30
18.	IDLER ROLLER C/W BEARINGS	1	WD610-BIR
19.	CIRCLIP	1	Z28-525
20.	IDLER ROLLER PIVOT SHAFT	1	WD610-IRS
21.	10mm DIA FLAT WASHER	1	Z11-02-10

TANCO AUTOWRAP 1250 MODELS (1994) DRIVE ASSEMBLY

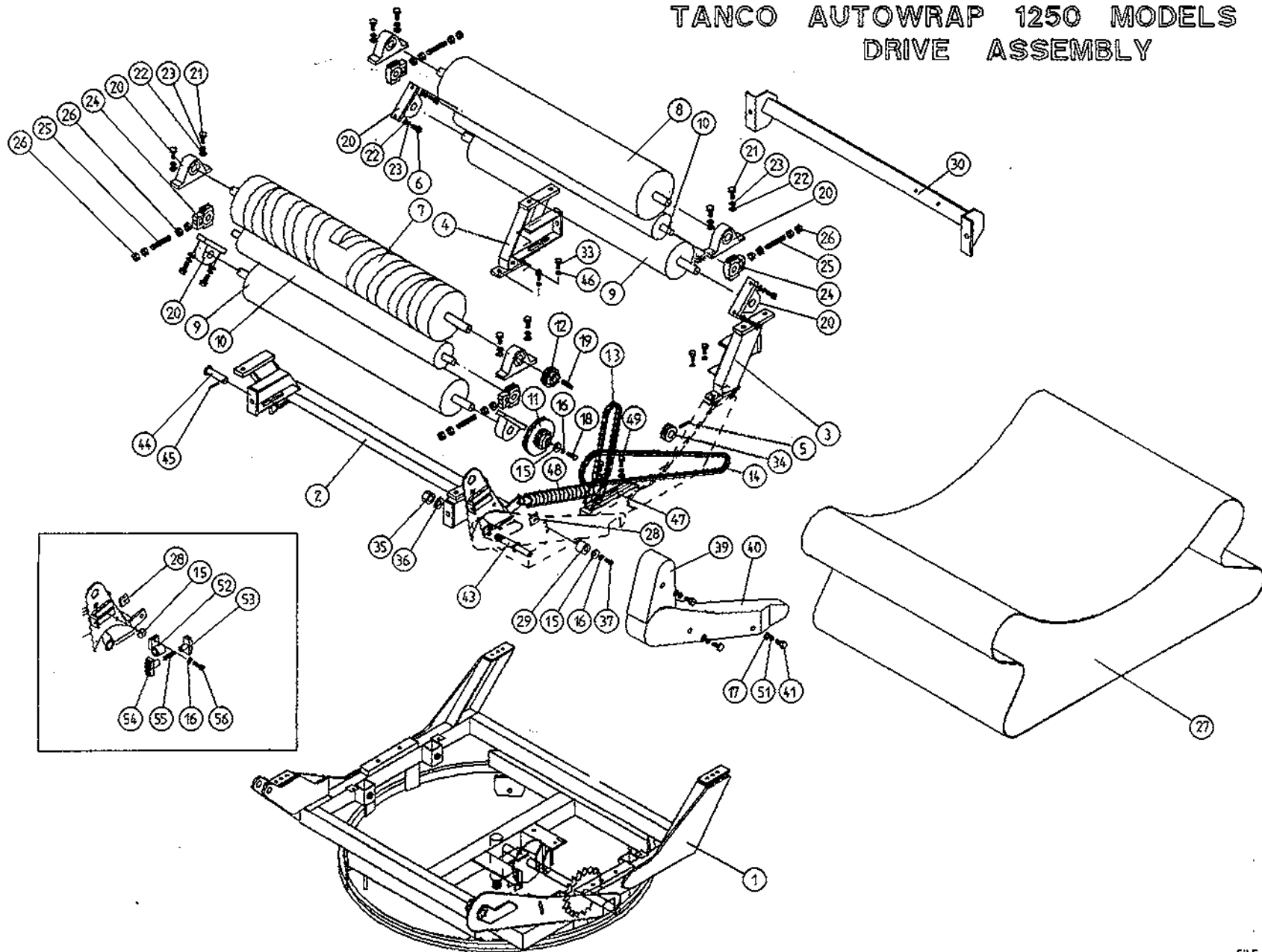


TANCO AUTOWRAP 1250 MODEL 1994
DRIVE ASSEMBLY

PARTS LIST

ITEM NO	DESCRIPTION	QTY	PART-NO
1.	TURNTABLE ASSY	1	WD610-TA
2.	ROLLER MOUNTING BRACKET (SWIVEL)	1	WD612-RMS
3.	ROLLER MOUNTING BRACKET (FIXED)	1	WD612-RM1
4.	ROLLER MOUNTING BRACKET (FIXED)	1	WD612-RM2
5.	5/16" DIA X 45MM LONG TENSION PIN	1	Z03-20-022
6.	M14 HEX HD SET X 50MM LONG	8	Z26-104S
7.	BIG ROLLER ASSY (DRIVE)	1	WD610-DRA
8.	BIG ROLLER ASSY (IDLER)	1	WD610-BRI
9.	ROLLER ASSY (IDLER)	2	WD65-BRI
10.	TRACKING ROLLER ASSY (LONG)	2	WD610-TRL
11.	38 TOOTH X 19 TOOTH X 1/2" PITCH DOUBLE DUPLES SPROCKET TO SUIT 08B-2 CHAIN	1	Z06-D610-1938
12.	19 TOOTH X 1/2" PITCH DUPLEX SPROCKET TO SUIT 08B-2 CHAIN	1	Z06-D610-19
13.	CHAIN 08B-2 1/2" PITCH DUPLEX X 63 PITCHES INCL. JOINER	1	Z09-AW-10
14.	CHAIN 08B-2 1/2" PITCH DUPLEX X 156 PITCHES INCL. JOINER	1	Z09-AW-20
15.	RETAINING COLLAR	2	WD623-071
16.	10MM DIA SPRING WASHER	3	Z12-02-10
17.	10MM DIA FLAT WASHER	5	Z10-02-10
18.	M10 HEX HD SET X 30MM LONG	1	Z26-062S
19.	5/16" KEY STEEL X 32MM LONG	1	WD623-K32
20.	1 1/4" PILLOW BLOCK BEARING	8	Z06-485
21.	M14 HEX HD SET X 45MM LONG	8	Z26-103S
22.	14MM DIA FLAT WASHER	24	Z11-02-14
23.	14MM DI SPRING WASHER	24	Z12-02-14
24.	SLIDING BEARING ST1	4	Z06-47ST
25.	M20 THREADED BAR X 135MM LONG	4	WD65-20TB
26.	M20 HEX NUTS	16	Z18-20
27.	BALE BELT 1000MM X 5150MM LONG	1	Z05-02AWV2-93
28.	LOCKING PLATE	1	WD623-060
29.	CHAIN TENSIONER ROLLER	1	WD60-CT
30.	CUT AND START MOUNTING FRAME	1	WD612-CSM
31.	LOCKING PLATE	2	WD623-060
32.	M14 HEX NUTS	8	Z18-14
33.	M12 HEX HD SET X 25MM LONG	4	Z26-081S
34.	15 TOOTH X 1.2" PITCH DUPLEX SPROCKET	1	Z06-AW125
35.	1" DIA UNC LOCKNUT	1	Z23-251
36.	1" H/D FLAT WASHER	2	Z10-02-25
37.	M10 HEX HD BOLT X 60MM LONG	1	Z26-066B
38.	M10 HEX HD BOLT X 80MM LONG	1	Z26-0692
39.	CHAIN GUARD (SMALL)	1	WD612-CGS
40.	CHAIN GUARD (LARGE)	1	WD612-CGL
41.	M10 HEX HD SET X 20MM LONG (TUFLOCK)	3	Z26-060ST
42.	STAR WASHER 1/2" DIA	3	Z10-02-121
43.	SPROCKET/BRACKET PIVOT SHAFT	1	WD610-71
44.	SWIVEL BRACKET PIVOT PIN J-50	1	Z03-03-50

TANCO AUTOWRAP 1250 MODELS (1994) DRIVE ASSEMBLY



017

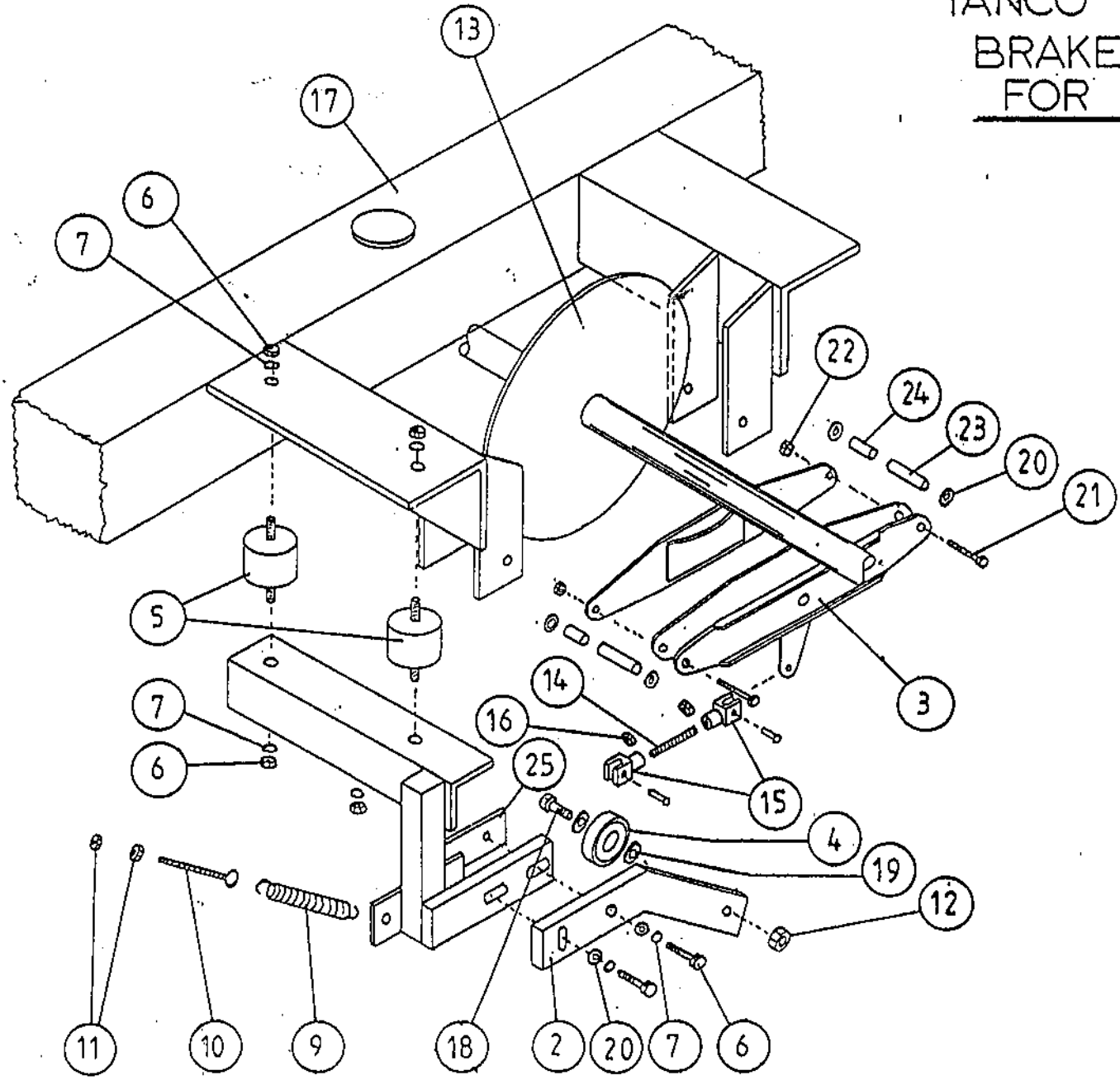
WD63-PL12

TANCO AUTOWRAP 1250 MODEL 1994
DRIVE ASSEMBLY

PARTS LIST

ITEM NO	DESCRIPTION	QTY	PART-NO.
45.	2" X 1/4" SPLIT PIN	1	Z03-21-29
46.	12MM DIA SPRING WASHER	4	Z12-02-12
47.	SPRING ANCHOR BRACKET	1	WD612-SAB
48.	ROLLER MOUNTING SWIVEL TENSION SPRING	1	Z07-21
49.	M12 HEX HD SETS X 30MM LONG	2	Z26-082S
50.	12MM DIA FLAT WASHER	2	Z10-02-12
51.	1/2" DIA STAR WASHER	3	Z11-02-10
52.	CHAIN TENSIONER BODY	1	WD610-CTB
53.	CHAIN TENSIONER BLOCK ASSY INNER	1	WD610-TB1
54.	CHAIN TENSIONER BLOCK ASSY OUTER	1	WD610-TB0
55.	SPRING 14.5MM O.D. X 1.6MM WIRE X 60MM LONG	1	Z07-48
56.	M10 HEX HD SET X 40MM LONG	1	Z26-064S

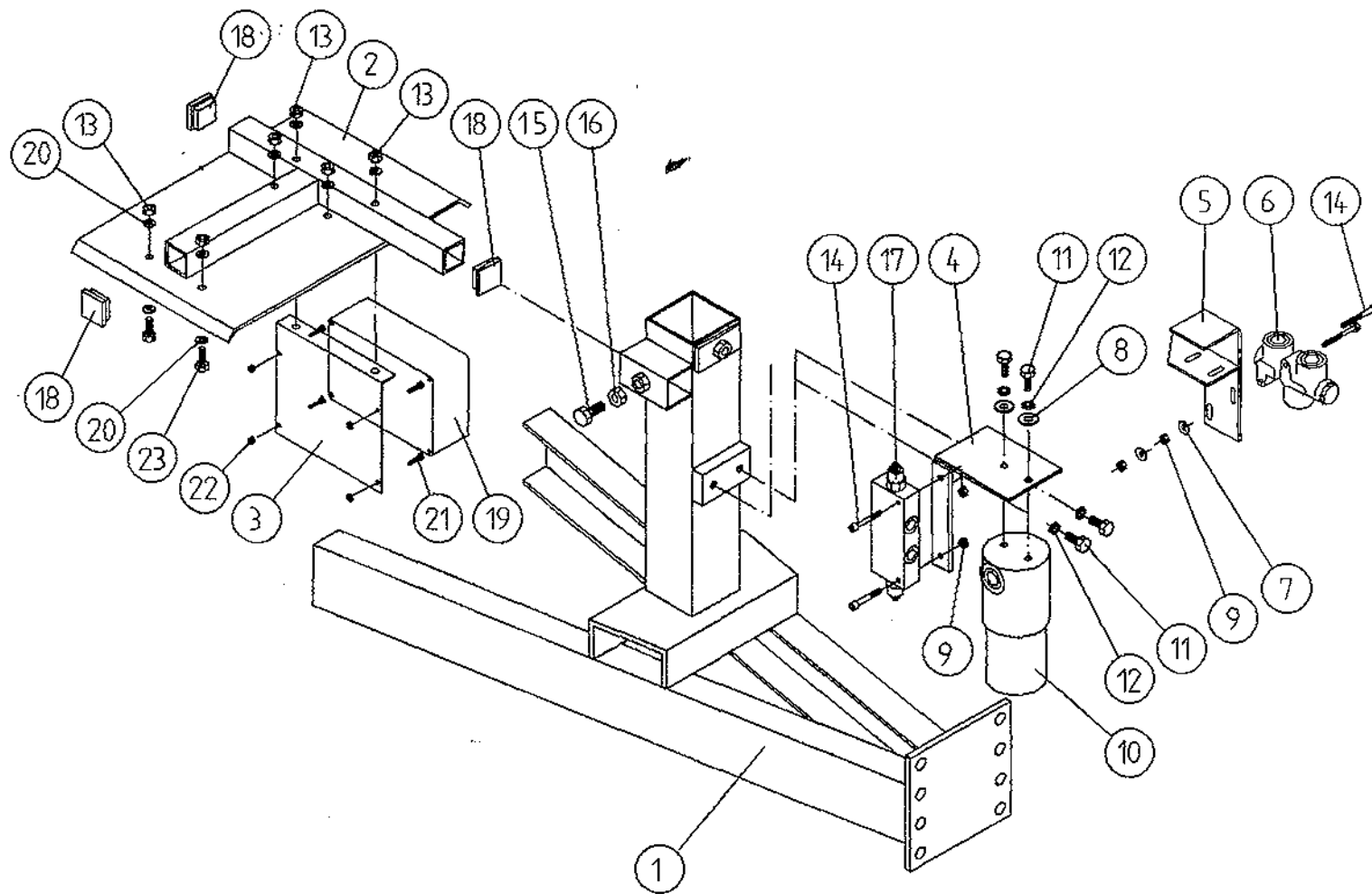
TANCO AUTOWRAP 1994
BRAKE ARRANGEMENT
FOR INDEXING SHAFT



**TANCO AUTOWRAP 1994
BRAKE ARRANGEMENT FOR INDEXING SHAFT
PARTS LIST**

ITEM NO	DESCRIPTION	QTY	PART-NO
1.	CAM FOLLOWER MOUNTING BRACKET (UPPER)	1	WD60-CFMB
2.	CAM FOLLOWER MOUNTING BRACKET (LOWER)	1	WD60-804
3.	CALIPER DISC BRAKE UNIT	1	Z49-92
4.	BALL BEARING (6301)	1	Z49-92
5.	RUBBER BUFFER 50MM DIA X 30 LONG TYPE A	2	Z40-21
6.	M10 HEX NUTS	4	Z18-10
7.	10MM DIA SPRING WASHERS	6	Z12-02-10
8.	M10 HEX HD SET X 40 LONG	2	Z26-064S
9.	TENSION SPRING	1	Z07-05
10.	EYE BOLT (M8)	1	WD60-EB
11.	M8 HEX NUTS	2	Z18-08
12.	M12 LOCKNUT	1	Z23-12
13.	SPROCKET/SHAFT ASSY	1	WD65-SPR
14.	5/16" UNF THREADED BAR X 90MM LONG	1	WD60-806
15.	5/16" UNF CLEVIS C/W PIN & CLIP	2	Z49-33
16.	5/16" UNF HEX NUT	2	Z15-05
17.	TURN TABLE	1	WD60-TA
18.	M12 HEX HD SETS X 40MM LONG	1	Z26-084S
19.	12MM DIA FLAT WASHER	2	Z11-02-12
20.	10MM DIA FLAT WASHER	7	Z11-02-10
21.	3/8" UNF HEX HD SET X 3" LONG	2	Z31B-102
22.	3/8" UN FLOCK NUT	2	Z15-06
23.	SPACER 1/8" O.D. X 13/32 I.D. X 1 1/2" LONG	2	Z49-92-01
24.	SPACER 1/2" O.D. X 13/32" I.D. X 1/2" LONG	2	Z49-92-02
25.	CLAMPING PLATE		WD60-836

TANCO AUTOWRAP 1250 A MODEL (1994)
VALVE/JUNCTION BOX / FILTER & DIVERTER VALVE MOUNTING BRACKETS ASSY

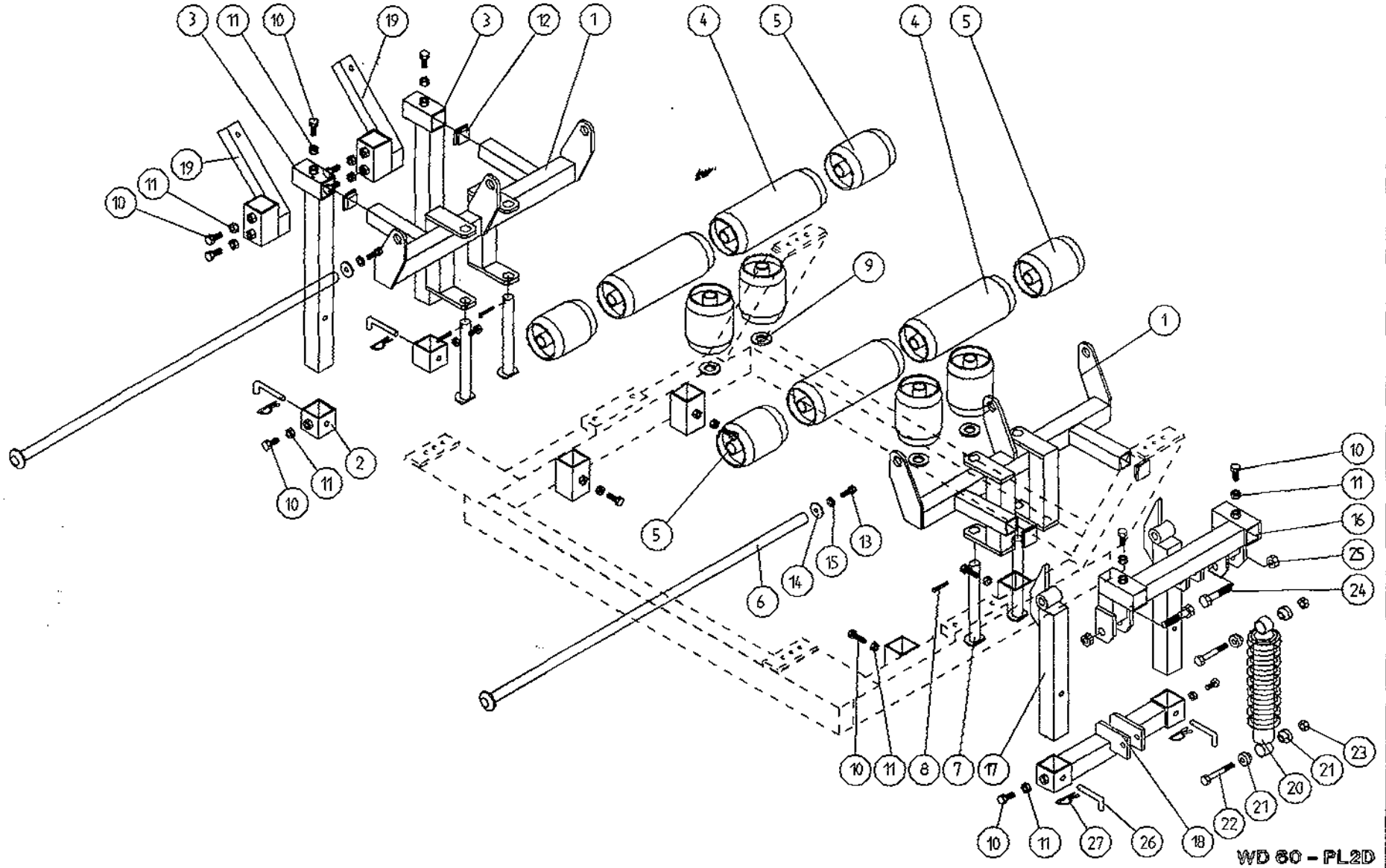


42

TANCO AUTOWRAP 1250A MODEL (1994)VALVE/JUNCTION BOX/FILTER & DIVERTER VALVE MOUNTING
BRACKET ASSEMBLY
PARTS LIST

ITEM NO	DESCRIPTION	QTY	PART-NO.
1.	CHASSIS ASSY	1	
2.	5 BANK VALVE MOUNTING BRACKET ASSY	1	WD612-VMP
3.	JUNCTION BOX MOUNTING PLATE	1	WD612-04
4.	OIL FILTER/OVER-CENTRE-VALVE MOUNTING BRACKET	1	WD610-FVB
5.	FLOW DIVIDER MOUNTING BRACKET	1	WD65-FDM
6.	FLOW DIVIDER	1	Z01-03-10-A6
7.	6MM DIA MUD FLAP WASHER	2	Z11-02-061
8.	8MM DIA MUD FLAP WASEHR	2	Z11-02-081
9.	M6 LOCKNUT (NYLOCK)	4	Z23-06
10.	OIL FILTER	1	Z01-24-08
11.	M8 HEX HD SET x 25mm	4	Z26-040S
12.	8mm DIA SPRING WASHER	4	Z12-02-08
13.	M8 LOCKNUTS	6	Z23-08
14.	M6 ALLEN HD SOCKET SCREW x 50mm	4	Z13-020-50
15.	M12 HEX HD SET x 30mm	1	Z26-082S
16.	M12 HEX NUT	1	Z18-12
17.	OVER-CENTRE VALVE	1	Z01-03-10-A8
18.	PLASTIC CAP TO SUIT 40 x 40 RHS	3	Z40-07
19.	JUNCTION BOX	1	ZDG-JB2
20.	8mm DIA FLAT WASHER	12	Z10-02-08
21.	M4 ALLEN HD SOCKET SCREW x 16mm	4	Z26-006
22.	M4 LOCKNUT	4	Z23-04
23.	M8 HEX HD SET x 20mm	6	Z26-039S

TANCO AUTOWRAP 1250 MODEL (1994) END ROLLER MOUNTING BRACKET ASSEMBLY



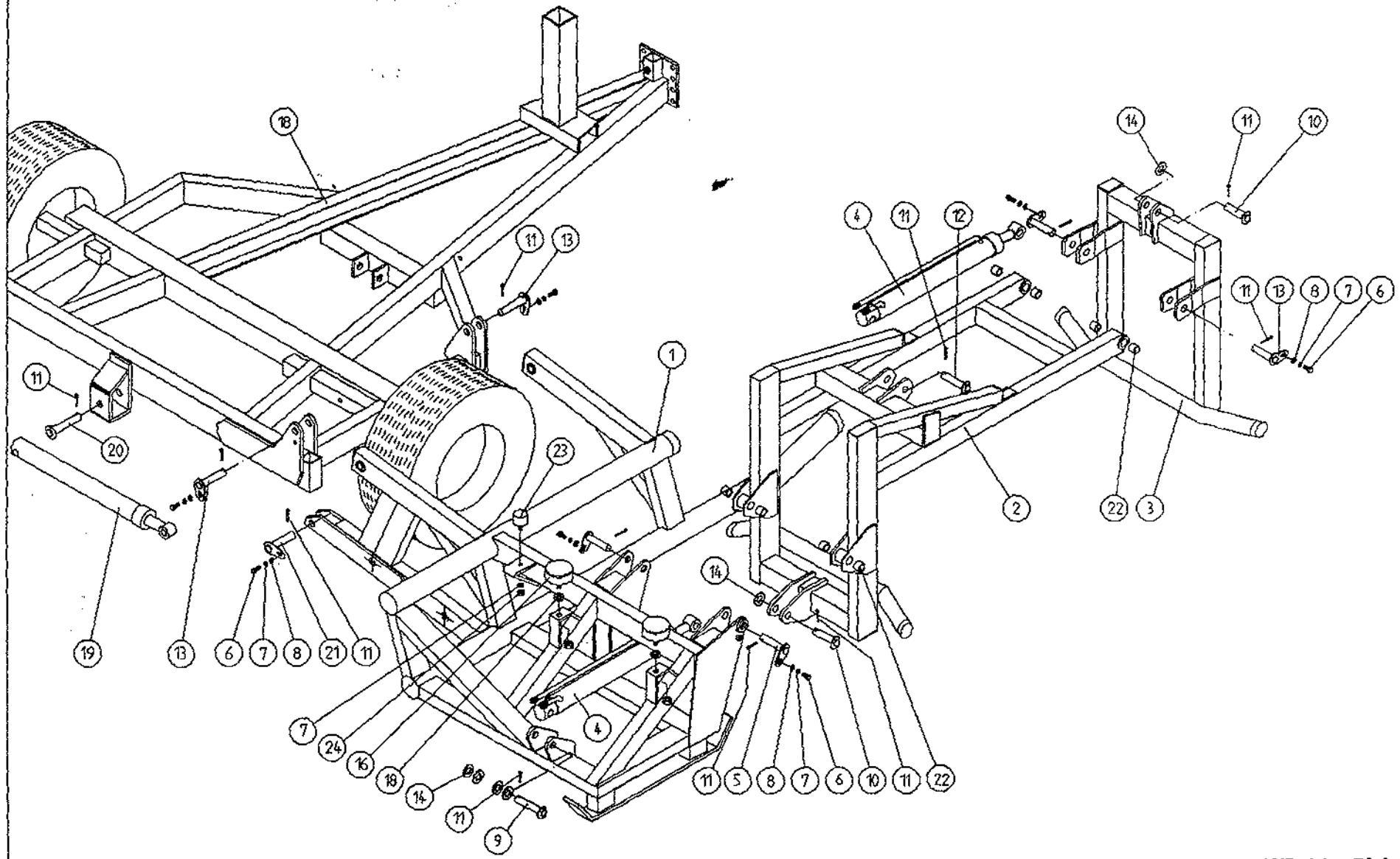
WD 60 - PL2D

WD60-PL20

**TANCO AUTOWRAP 1250 MODEL 1994
END ROLLER MOUNTING BRACKET ASSY**

ITEM NO	DESCRIPTION	QTY	PART-NO.
1.	ROLLER MOUNTING BRACKET	2	WD625-ERM1
2.	SOCKET ASSY LOWER	2	WD625-SA
3.	SOCKET ASSY UPPER	2	WD625-ERSA
4.	ROLLER ASSY (LONG)	4	WD625-LRA
5.	ROLLER ASSY (SHORT)	8	WD625-ERA5
6.	ROLLER PIVOT PIN (LONG)	2	D625-PL
7.	ROLLER PIVOT PIN (SHORT)	4	WD625-ERPS
8.	1/4" DIA SPLIT PIN X 1 1/2" LONG	4	Z03-21-27
9.	1" HEAVY DUTY FLAT WASHER	4	Z10-02-25
10.	M12 HEX H SET X 40MM LONG	16	Z26-084S
11.	M12 HEX NUT	16	Z18-12
12.	PLASTIC CAP	4	Z32-07
13.	M10 HEX D ST X 25MM LONG (TUFLOCK)	2	Z26-016S
14.	THRUST WASHER	2	WD623-071
15.	10MM DIA SPRING WASHER	2	Z12-02-10
16.	PIVOT BRACKET UPPER	1	WD625-PBU
17.	PIVOT BRACKET LOWER	1	WD625-PBL
18.	DAMPER BRACKET LOWER	1	WD625-DBL
19.	CUT AND START MOUNTING BRACKET	2	WD625-CSM
20.	DAMPER SPRING	1	Z07-60
21.	SPACER	4	WD612-038
22.	M16 HEX HD BOLT X 80MM LONG	2	Z26-130B
23.	M16 LOCKNUT	2	Z23-16
24.	3/4" UNC HEX HD BOLT X 100MM	2	Z27-134B
25.	3/4" UNC HEX LOCKNUT	2	Z23-201
26.	BISSEL PIN	2	Z03-22-AW82
27.	4MM "R" CLIP	2	Z36-0221

TANCO AUTOWRAP 1250S/1250A MODEL
LIFT ARM ASSEMBLY



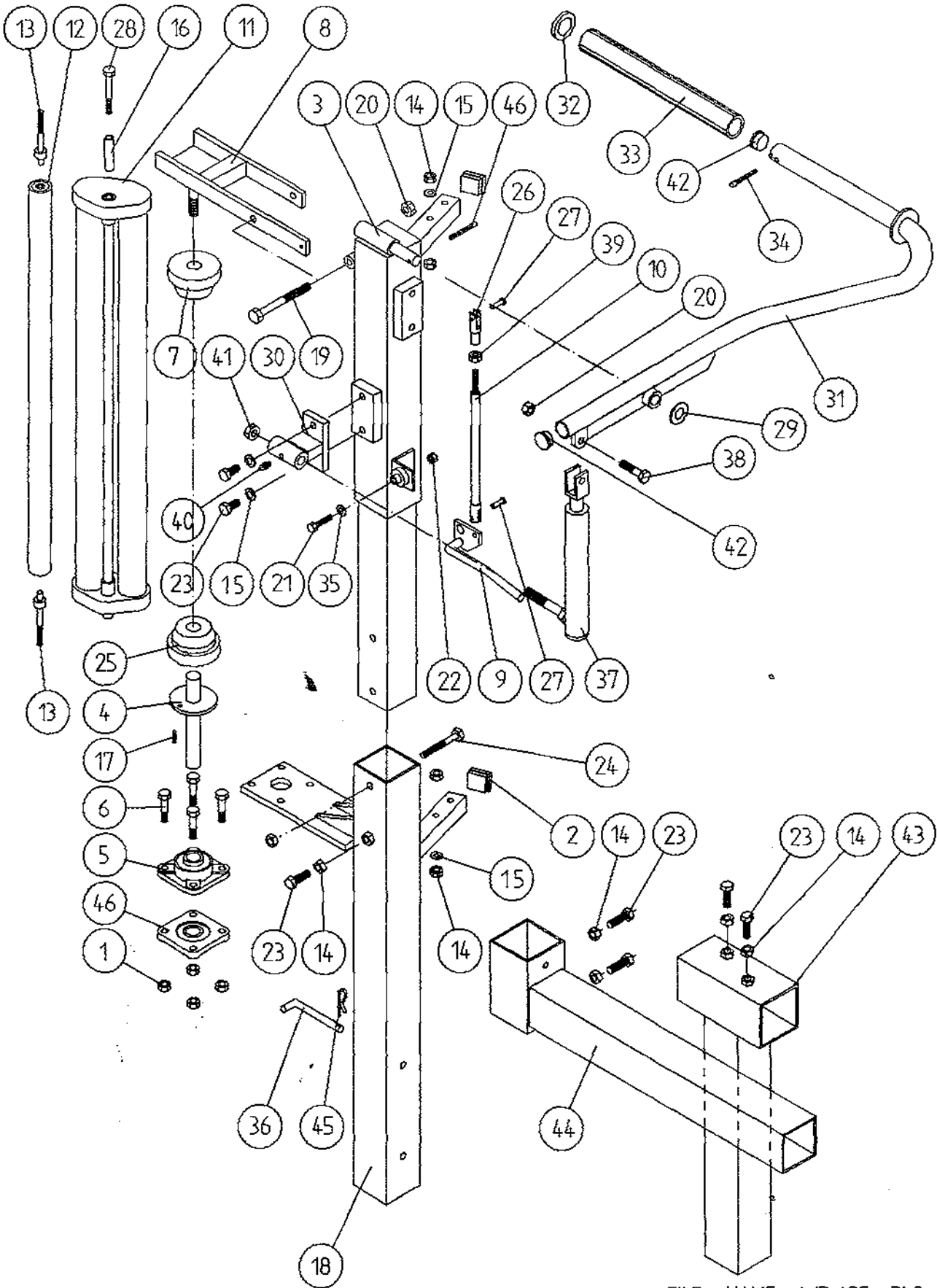
777

TANCO AUTOWRAP 1250S/1250A MODEL 1994
LIFT ARM ASSEMBLY

PARTS LIST

ITEM NO	DESCRIPTION	QTY	PART-NO.
1.	LIFT ARM ASSY	1	WD625-LA
2.	LIFT ARM - GRAB FRAME	1	WD625-LAGF
3.	LIFT ARM - GRAB SECTION	1	WD625-LAGS
4.	HYDRAULIC RAM D/A	1	Z01-01-140
5.	GRAB FRAME PIVOT PIN C/W GREASE NIPPLE	2	Z03-01-796
6.	M10 HEX HD SET x 25mm LONG	7	Z26-061S
7.	10mm DIA SPRING WASHER	8	Z12-02-10
8.	10mm DIA FLAT WASHER	7	Z11-02-10
9.	MAIN FRAME BOTTOM RAM PIVOT PIN	1	Z03-02-54
10.	MAIN FRAME AND GRAB TOP RAM PIVOT PIN	2	Z03-03-50
11.	1/4" DIA SPLIT PIN x 1 1/2" LONG	11	Z03-21-27
12.	GRAB BOTTOM RAM PIVOT PIN	1	Z03-0-218
13.	GRAB PIVOT & LIFT ARM PIVOT PIN C/W GREASE NIPPLE	4	Z03-01-905
14.	1" DIA HEAVY FLAT WASHER	6	Z10-02-25
15.	HYDRULIC RAM D/A	1	Z01-01-140S
16.	RUBBER BUFFER 100mm DIA x 40mm LONG	2	Z40-26
17.	M16 HEX NUT	4	Z18-16
18.	CHASSIS ASSY	1	WD60-CHA
19.	HYDRAULIC RAM (LIFT ARM)	1	Z01-01-AWQI2
20.	RAM BOTTOM PIVOT PIN	1	Z03-02-330
21.	RAM TOP PIVOT PIN	1	Z03-01-797
22.	TENSION BUSHES	8	Z03-20-015
23.	BUFFER 56mm DIA x 40mm LONG	1	Z40-20
24.	M10 HEX NUT	1	Z18-10

TANCO AUTOWRAP 1250A MODEL 1994
FILM DISPENSOR SYSTEM

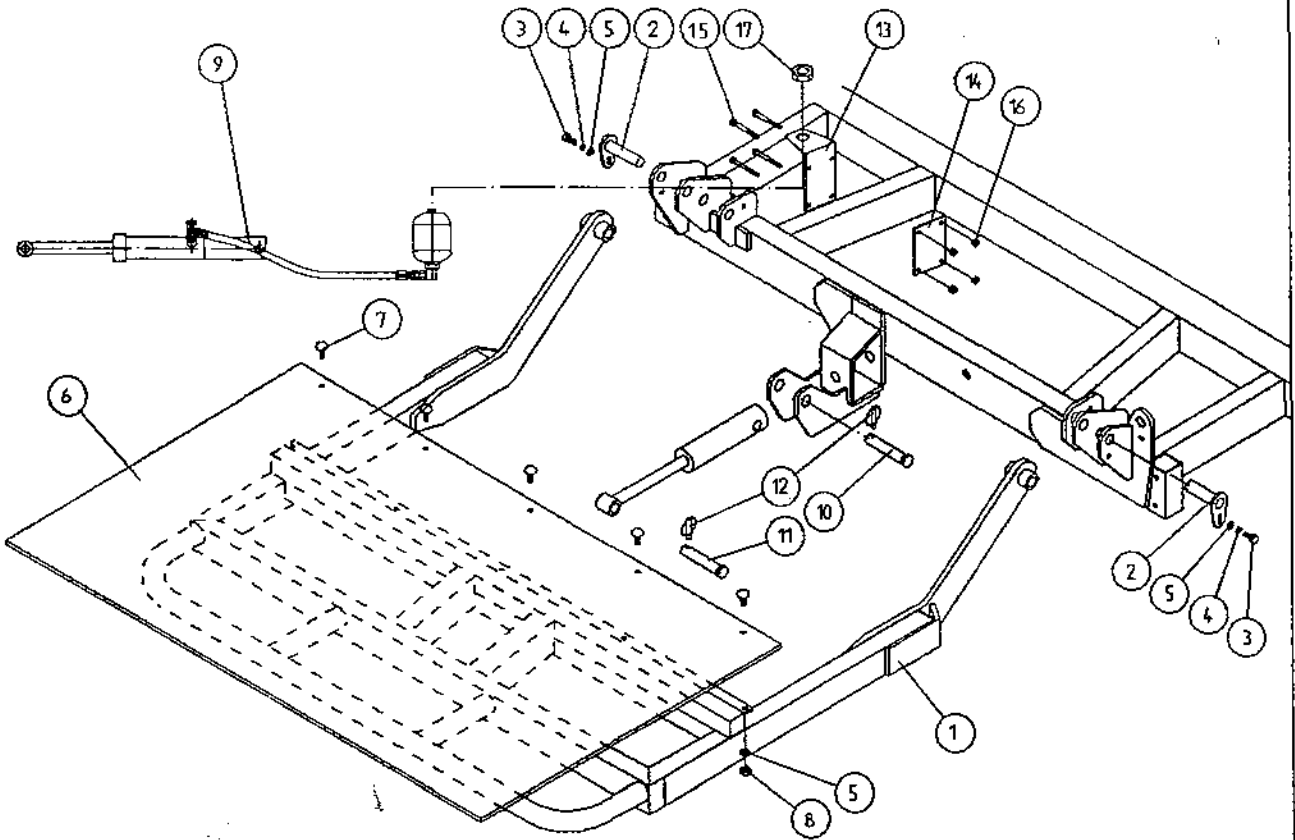


FILE NAME WD 625 - PL9

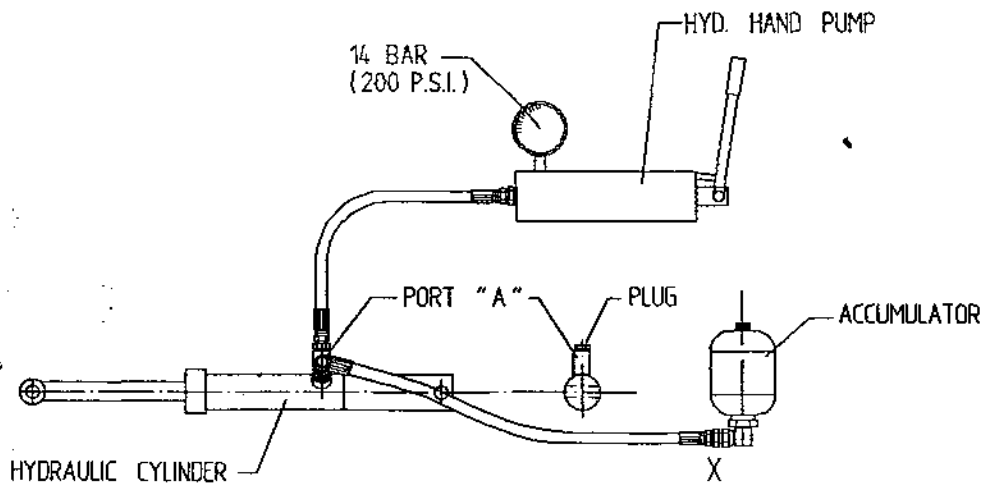
**TANCO AUTOWRAP 1250A MODEL (TRAILED) 1994
FILM DISPENSING SYSTEM**

ITEM NO	DESCRIPTION	QTY	PART-NO
1.	M10 LOCKNUTS	4	Z23-10
2.	PLASTIC CAPS (TO SUIT 40 X 40 X 3 RHS)	2	Z32-07
3.	DISPENSER MOUNTING (UPPER)	1	WD60-DMUH
4.	FILM SPOOL ASSEMBLY	1	WD60-SPO
5.	1" DIA FLANGE BEARING C/W CAM LOCK	1	Z06-48EC
6.	M10 HEX HD BOLT X 50MM LONG	4	Z26-066B
7.	CONE (TOP) C/W BALL BEARINGS	1	Z06-45-01
8.	CLAMP ASSEMBLY	1	WD60-DMCA
9.	LEVER ASSEMBLY	1	WD60-DMLA
10.	LINK ASEMBLY	1	WD60-DMLK
11.	FILM DISPENSER UNIT MK 8 (55% STRETCH)	1	D6151
12.	SLAVE ROLLER ASSY (PLASTIC COATED)	1	WD65-SLR
13.	SLAVE ROLLER PIVOT	2	WD60-253
14.	M12 HEX NUTS	9	Z18-12
15.	12MM DIA SPRING WASHER	2	Z12-02-12
16.	SLEEVE	1	D52012
17.	1/4" DIA TENSIN PIN X 3/4" LONG	1	Z03-20-062
18.	DISPENSER MOUNTING (LOWER)	1	WD60-DMLH
19.	M12 HEX HD BOLT X 130MM LONG	1	Z26-094B
20.	M12 LOCKNUT	3	Z23-12
21.	M8 HEX HD BOLT X 35MM LONG	1	Z26-042S
22.	M8 LOCKNUT	1	Z23-08
23.	M12 HEX HD SET X 30M LONG	3	Z26-082S
24.	M12 HEX HD BOLT X 100MM LONG	1	Z26-092B
25.	CONE (BOTTOM)	1	Z06-45-02
26.	CLEVIS (M10)	1	Z49-335
27.	PIN (5/16" DIA C/W CLIP)	2	Z49-337
28.	M10 HEX HD BOLT X 80MM LONG	1	Z26-0691B
29.	3/4" DIA FLAT WASHER	1	Z10-02-19
30.	FILM PULL DOWN BRACKET ASSY	1	WD65-FPDB
31.	FILM PULL DOWN ARM ASSY	1	WD65-FPDA
32.	RETAINING WASHER	1	WD60-859
33.	ROLLER	1	WD60-866
34.	2" X 1/4" SPLIT PIN	1	Z01-23-29
35.	4MM "R" CLIP	1	Z36-02
36.	BISSEL PIN (110MM LONG)	1	WD60-874
37.	HYDRAULIC RAM	1	Z01-01-AW25
38.	M12 HEX HD SET X 50MM LONG	1	Z26-086S
39.	5/16" UNF HEX NUT	1	Z15-05
40.	1/8" BSP ST GREASE NIPPLE	1	Z39-60
41.	M16 LOCKNUT	1	Z23-16
42.	1" GB PLASTIC CAP	2	Z32-14
43.	DISPENSER MAST HORIZONTAL SOCKET ASSY	1	WD65-DHS
44.	DISPENSER MAST VERTICAL SOCKET ASSY	1	WD65-DVS
45.	4MM "R" CLIPS	1	Z36-02
46.	1" DIA FLANGE BEARING	1	Z06-48

TANCO AUTOWAP 1995 MODEL HYDRAULIC BALE RAMP



INSTRUCTIONS FOR RECHARGING HYDRAULIC CYLINDER



1. REMOVE PLUG FROM PORT "A".
2. CONNECT HOSE FROM HYD. HAND PUMP TO PORT "A".
3. CHARGE CYLINDER TO A PRESSURE OF 14 BAR (200 P.S.I.)
4. BLEED AIR FROM SYSTEM BY SLACKENING HOSE CONNECTION AT BASE OF ACCUMULATOR MARKED X. RETIGHTEN CONNECTION.
5. REMOVE PUMP HOSE FROM PORT "A" AND REFIT PLUG.

FILE NAME WD64-PLZE

WD64-PL25

TANCO AUTOWRAP 1995 MODEL
HYDRAULIC BALE RAMP

PARTS LIST

ITEM	DESCRIPTION:	QTY:	PART NO:
1	HYDRAULIC BALE RAMP ASSY	1	WD65-HBRF
2	RAMP MAIN PIVOT PIN C/W GREASE NIPPLE	2	Z03-01-905
3	M10 HEX HD SET X 20mm LONG TUFLOCK	2	Z26-060ST
4	10MM DIA MACHINED FLAT WASHER	2	Z11-02-10
5	10MM DIA SPRING WASHER	12	Z12-02-10
6	BALE MAT	1	Z05-02-BRH
7	M10 X 30MM LONG CUP HD.SQ BOLTS	5	Z13-112
8	M10 HEX NUTS	5	Z18-10
9	HYDRAULIC RAM C/W ACCUMULATOR	1	Z01-01-AWD
10	SPAREX PIN	1	Z03-04-74
11	SPAREX PIN	1	Z03-04-73
12	7/16 DIA LINCH PIN	2	Z03-22-06
13	ACCUMULATOR MOUNTING PLATE	1	WD65-AMP
14	CLAMPING PLATE	1	WD65-231
15	M8 HEX HD BOLT X 80MM LONG	4	Z26-050B
16	M8 LOCKNUT	4	Z23-08
17	M28 X 1.5 PITCH HEX NUT	1	Z18-28

FAULT FINDING

PROBLEMS.

- | | |
|---|--|
| 1. Drive Roller and Bale belt not driving | Check and replace shear Pins in sprocket on drive roller. |
| 2. Film Breaking | Wash off dispenser and slave rollers Change roll of film. Use recommended films only. |
| 3. Film not wrapping evenly on | Adjust film mast so centre of film roll is aligned with centre of bale |
| 4. Film Tearing on Ramp. | Check for sharp edges and remove. |
| 5. Bale Skidding on Ramp. | Fit Hessian Bag or piece of carpet to Ramp. |
| 6. Film Dispenser not Pre-Stretching Film. | Check that both Rollers turn when one is turned by hand. If not, fit new gears or replace unit. |
| 7. Tyres coming off 4" platform Support Wheels. | Replace Wheels - Reduce speed below 30 r.p.m. - Do not grease path of wheels on platform. Check that bale does not get trapped between arms and turntable when being loaded.

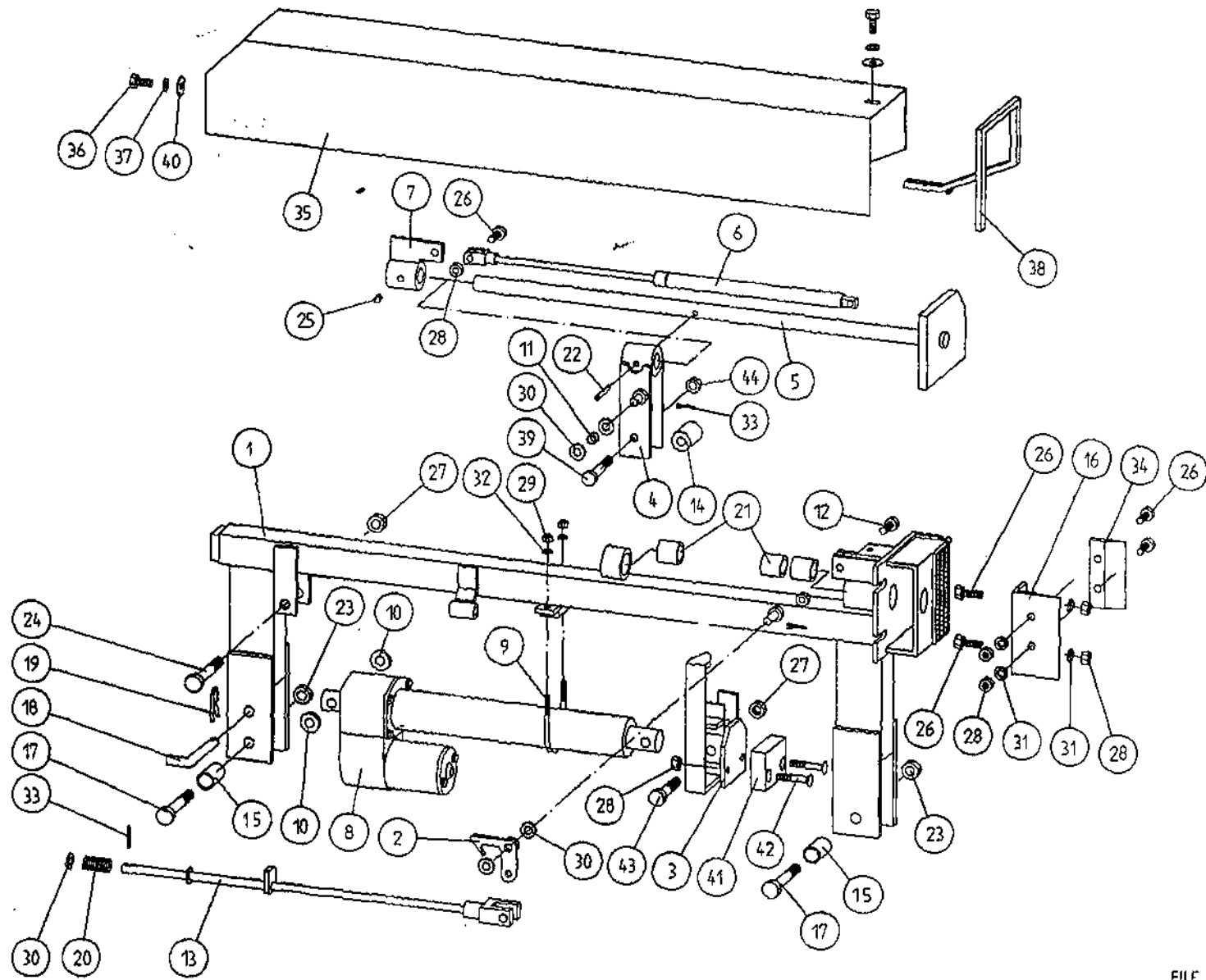
If this happens lower arm and start again. |

8. MAIN BELT MOVING SIDEWAYS

- (i) Ensure vertical rollers (plastic) are in tight on the bale. Remember that the bale will reduce in size during wrapping and, on the round bales in particular, the corners will become rounded so that the bale will tend to move sideways due to centrifugal forces. Now, if the plastic rollers are too far apart, the bale will move against one of the plastic rollers causing the belt to move in the opposite direction. Always adjust the vertical plastic rollers so that they keep the bale central on the belt.
- (ii) Adjust bale stop on lift arm so that bale is loaded centrally onto platform.
- (iii) Check that bale belt is fitted so arrow points in direction of travel.
- (iv) Check that both 8" rollers underneath the bale belt are parallel to each other. Remember the golden rule - a belt will always move up a slope. So, if the belt continually moves to one side, adjust idler roller to a narrower setting on the opposite side to which the belt travels.
- (v) Check that gripface strips are securely fixed to the roller and have not moved out of alignment.
- (vi) Check that it is the same measurement each side by running a string around the belt and measuring it. If one side is longer than the other replace the belt.

TANCO AUTOWRAP CUT AND START UNIT (1995)

MAIN ASSEMBLY



FILE NAME W064PL16

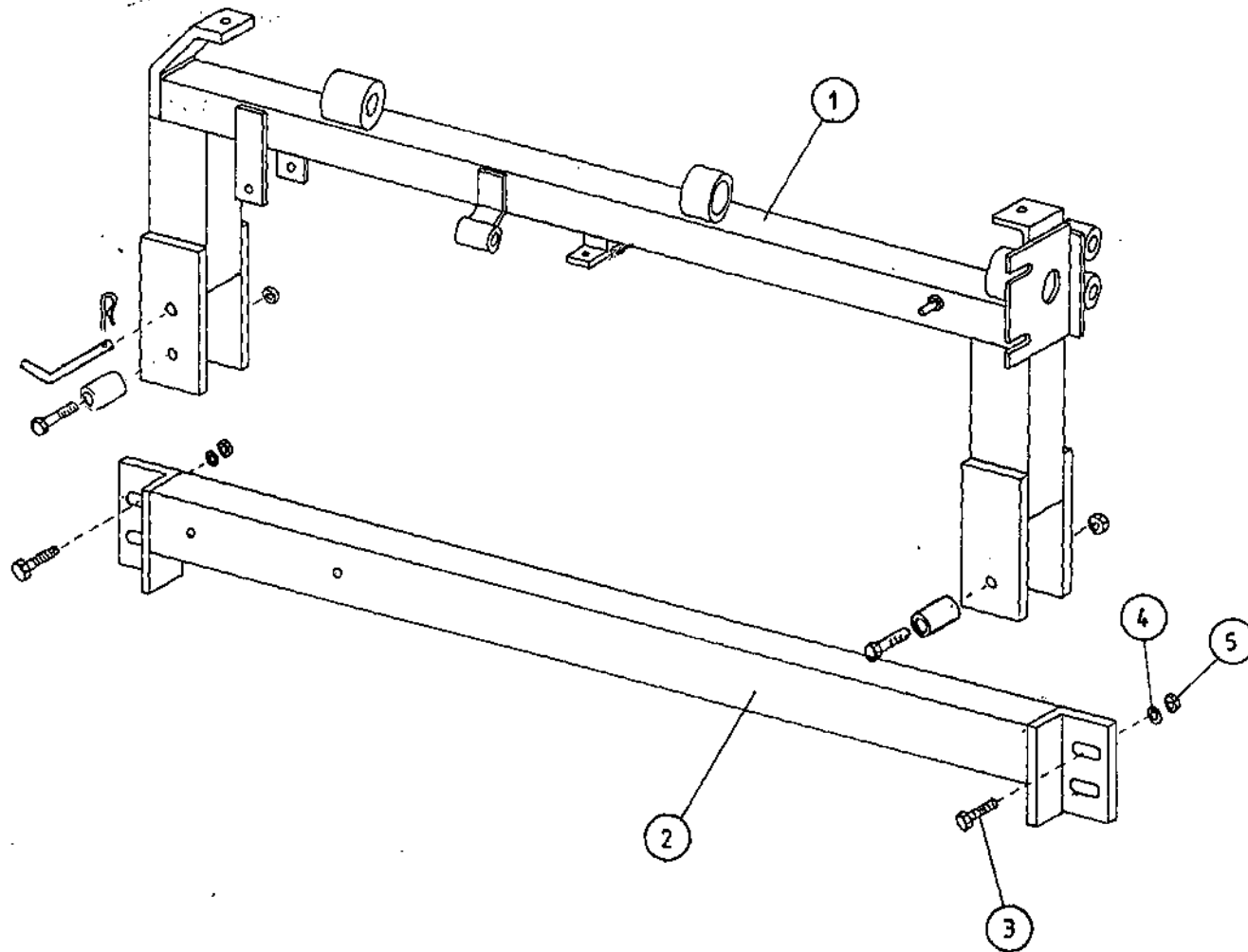
11

WD64-PL16

**TANCO AUTOWRAP
CUT AND START UNIT (1995)
PARTS LIST**

ITEM NO	DESCRIPTION	QTY	PART-NO.
1.	MAIN MOUNTING FRAME ASSY	1	WD605-MF1
2.	LATCH ASSY.	1	WD605-LA
3.	PUSH PLATE / POINTER ASSY.	1	WD605-PPP
4.	GUIDE ASSY	1	WD605-GD1
5.	PLUNGER ASSY	1	WD605-PL1
6.	GAS SPRING	1	Z07-47
7.	GAS SPRING MOUNTING BRACKET	1	WD605-GSM
8.	WARNER LINEAR ACTUATOR D11 10B5 08	1	ZD605-510
9.	"U" BOLT	1	WD605-45
10.	SPACER 1" X OD X 1/2" ID X 6mm LONG	2	WD605-65
11.	SLEEVE 1/2" DIA O.D. X 13/32" DIA I.D.	1	WD605-47
12.	M8 HEX HD SET X 35mm LONG	1	Z26-042S
13.	TRIGGER ASSEMBLY	1	WD605-TRG
14.	COLLAR 1" DIA BRIGHT RD. X 41.5mm LONG	1	WD605-51
15.	SPACER	1	WD605-100
16.	BLADE GUARD/MOUNTING BRACKET	1	WD605-105
17.	M12 HEX HD BOLT X 80mm LONG	2	Z26-0901B
18.	BISSEL PIN	1	Z03-22-AW100
19.	4mm "R" CLIP	1	Z36-02
20.	SPRING 16mm O.D X 1.5mm WIRE X 48mm LONG	1	Z07-34
21.	OILITE OIL RETAINING BUSH 1 1/8" O.D.	3	Z06-105
22.	1 1/2" X 1/4" DIA TENSION PIN	1	Z03-20-07
23.	M12 LOCKNUTS	2	Z23-12
24.	M12 HEX HD BOLT X 65mm	1	Z26-0882B
25.	M8 GRUB SCREW	1	Z28-008
26.	M8 HEX HD SET X 25mm	3	Z26-040S
27.	M12 BINX LOCKNUT	4	Z23-12BX
28.	M8 LOCKNUT	8	Z18-08
29.	M6 LOCKNUT (NYLOCK)	2	Z23-06
30.	10mm DIA FLAT WASHER	10	Z11-02-10
31.	8mm DIA FLAT WASHER	5	Z11-02-08
32.	6mm DIA FLAT WASHER	2	Z11-02-06
33.	3mm DIA SPLIT PIN	2	Z03-21-02
34.	BLADE	1	WD605-104
35.	MAIN GUARD	1	WD605-MG
36.	M8 HEX HD SET X 20mm LONG	2	Z26-039S
37.	8mm DIA SPRING WASHER	9	Z12-02-08
38.	EDGING STRIP	1	Z44-12
39.	M10 HEX HDSET X 20mm	2	Z26-060S
40.	8mm DIA FLAT WASHER 1" O.D.	4	Z11-02-081
41.	PACKER	1	WD605-133
42.	M8 X 40 COUNTER SUNK BOLT	2	Z13-5-08X40
43.	M12 HEX HD BOLT X 50mm LONG	1	Z26-086B
44.	M10 LOCKNUT	1	Z23-10

TANCO AUTOWRAP CUT AND START (1994)
MOUNTING FRAME



WD605-MF

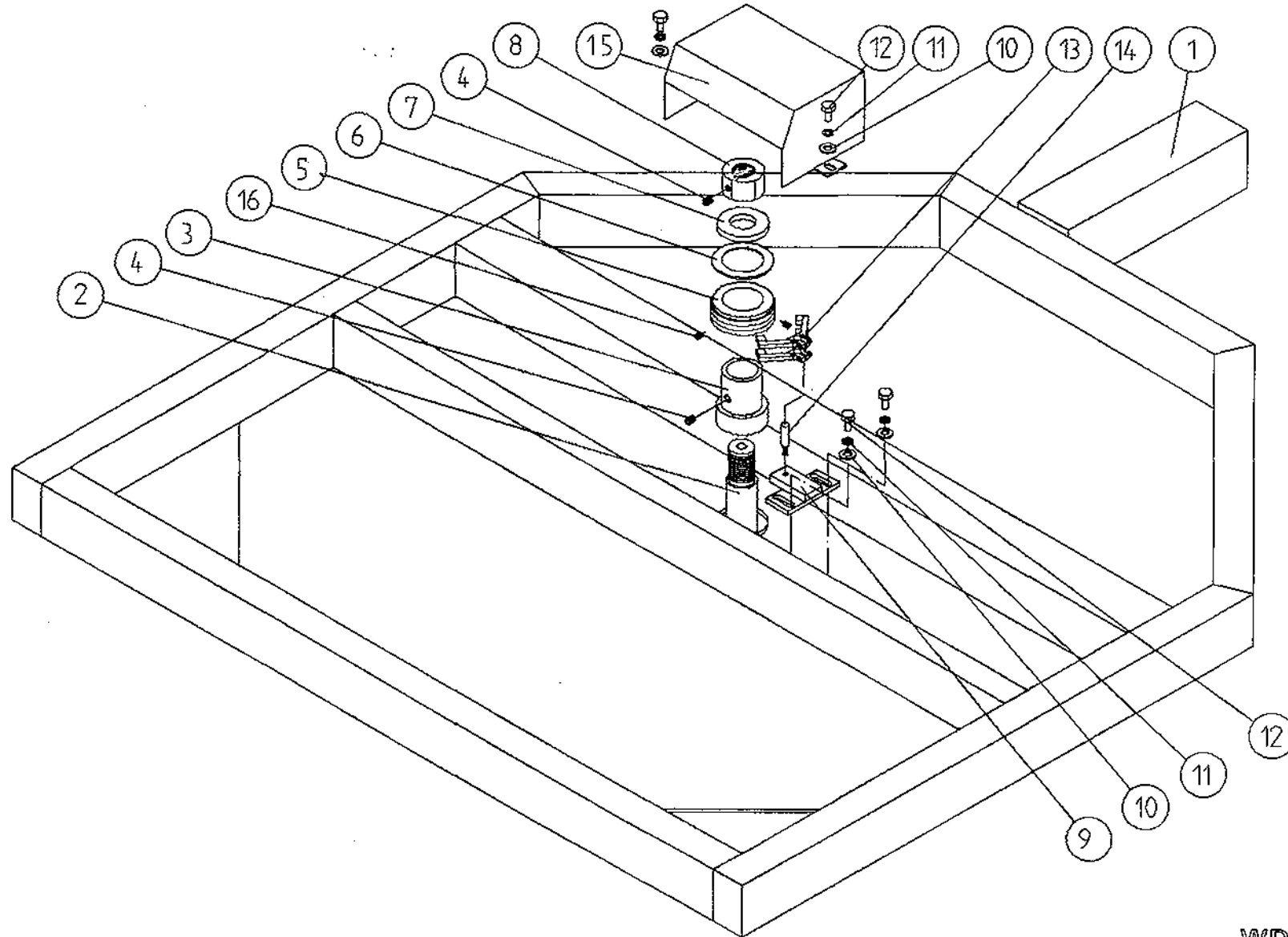
TANCO AUTOWRAP CUT AND START UNIT (1994)

MOUNTING FRAME

PARTS LIST

ITEM NO	DESCRIPTION	QTY	PART-NO
1.	MAIN MOUNTING FRAME ASSY	1	WD605-MF
2.	MAIN FRAME MOUNTING	1	WD605-MFM
3.	M10 HEX HD SET x 30mm LONG	2	Z26-062S
4.	10mm DIA SPRING WASHER	2	Z12-02-10
5.	M10 HEX NUT	2	Z18-10

TANCO AUTOWRAP - CUT AND START UNIT (1994)
SLIP RING ASSEMBLY



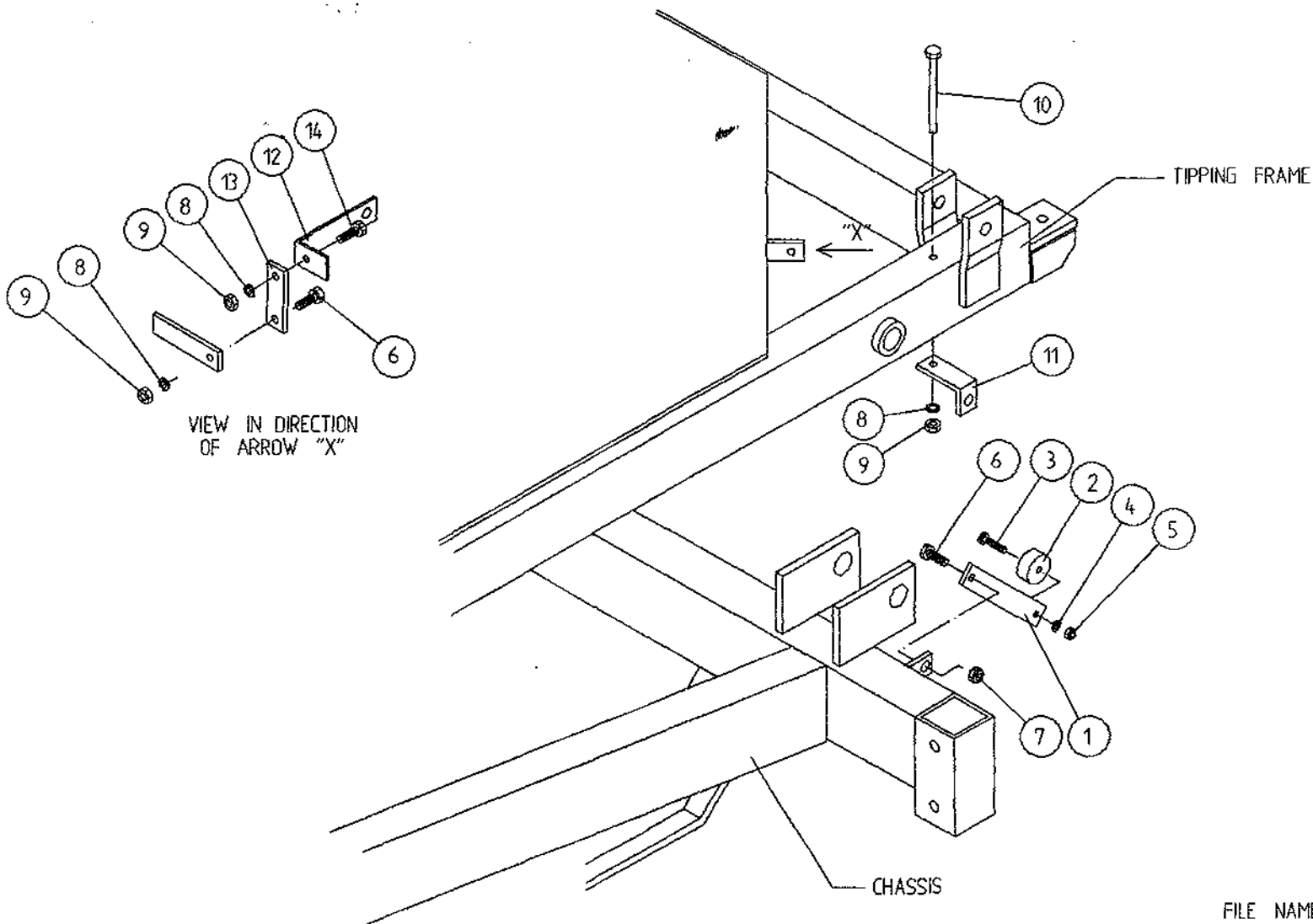
WD 605 - PL2

**TANCO AUTOWRAP CUT AND START UNIT (1994)
SLIP RING ASSY.**

PARTS LIST

<u>ITEM NO.</u>	<u>DESCRIPTION</u>	<u>QTY.</u>	<u>PART-NO.</u>
1.	UNDERSIDE OF TIPPING FRAME	1	
2.	TURNTABLE CENTRE SHAFT	1	WD60-768
3.	SLIP RING MOUNTING SLEEVE	1	WD60-825
4.	M8 GRUB SCREW x 6 mm LONG	2	Z28-007
5.	SLIP RING ASSY.	1	ZD605-308
6.	INSULATING RING	1	ZD605-350
7.	LOCKING COLLAR	1	WD60-770
8.	1 1/4" UNC HEX NUT	1	Z18-300
9.	SLIP RING MOUNTING BRACKET ASSY	1	WD605-SRMB
10.	10mm DIA FLAT WASHER 1" O.D.	4	Z11-02-101
11.	10mm SPRING WASHER	4	Z12-02-10
12.	M10 HEX HD SET x 20mm	4	Z26-060S
13.	BRUSHES	2	ZD605-306
14.	INSULATOR SLEEVE	1	ZD605-302
15.	SLIP RING GUARD ASSY	1	WD605-SRG
16.	M5 GRUB SCREW	2	Z28-005

TANCO AUTOWRAP
CUT AND START UNIT
SENSOR & MAGNET MOUNTING BRACKETS



TANCO AUTOWRAP CUT AND START UNIT 1994SENSOR AND MAGNET MOUNTING BRACKETSPARTS LIST

ITEM NO.	DESCRIPTION	QTY.	PART-NO.
1.	MAGNET MOUNTING BRACKET	1	WD605-57
2.	MAGNET	1	D6043
3.	M6 HEX HD SET x 30mm LONG	1	Z26-022S
4.	6mm DIA FLAT WASHER	1	Z11-02-06
5.	M6 LOCKNUT	1	Z23-06
6.	M8 HEX HD SET x 25mm LONG	2	Z26-040S
7.	M8 LOCKNUT (NYLOCK)	1	Z23-08
8.	8mm DIA SPRING WASHER	3	Z12-02-08
9.	M8 HEX NUT	3	Z18-08
10.	M8 HEX HD SET x 100mm LONG	1	Z26-057S
11.	SENSOR MOUNTING BRACKET	1	WD605-58
12.	ROTATE SENSOR MOUNTING BRACKET	1	WD605-140
13.	MOUNTING FLAT	1	WD605-07
14.	M8 HEX HD SET x 20mm LONG	1	Z26-020S

TANCO AUTOWRAP AUTOMATIC MODELS

Cut and start

Fault Finding Summary.

This summary is to be read in conjunction with operators handbook.

Note: It has been found that most faults can be attributed to a bad power supply. Therefore it is essential that power supply be taken directly from battery terminals, ensuring correct polarity.

Operating voltage is 10V D.C. (under load) to 13.5V D.C.

Problem

(1) Bale Wrap monitor does not power on.

Proposed Remedy

(a) Check polarity on connections to battery terminals.

(b) Check fuse, in power supply cable to controller.

(2) Plunger does not come out after 2 revolutions of turntable.

(a) Check operation in manual mode to ensure that plunger travels in and out. If the plunger does not travel in and out, check all connections from six pin plug, through slip ring to linear actuator.

(b) Check fuse in power supply cable to junction box and replace if necessary.

(2) (i) Buzzer sound continuously "bleep" bleep" and bale wrap monitor does not count above 2 revs.

(c) Check voltage while operating in manual mode. This voltage should be no lower than 10V D.C. (under load). Also check connections on battery terminals.

(d) Check that bale wrap monitor is counting revolutions and if not check that turntable sensor is within 6mm of magnet on turntable.

(e) Carry out continuity check of turntable sensor, by taking reading across 2 & 3 in six pin plug.

(3) Plunger snaps closed after about 7 to 8 turntable revolutions. This is caused by the Linear Actuator not stopping in park position.

(a) Reduce setting for programme (1), which indicates the number of seconds required to reverse to park position. Setting can be altered in increments of 0.5 sec. In the park position there should be 5mm to 12mm clearance between cam on push plate assy and latch trigger.

(4) When machine is tipped plunger does not close.

(a) Check clearance between tip sensor on back of tipping frame and magnet of 5mm to 6mm.

(b) Check that tip sensor passes magnet, if not adjust magnet position.

EC DECLARATION OF CONFORMITY

according to Directive 89/392/EEC as amended

Manufacturer

TANCO ENGINEERING CO. LTD.,
BAGENALSTOWN
CO. CARLOW
IRELAND

Certifies that the following product:

AUTOWRAP

MODEL

1250 A

SERIAL No.

D1600-D2600

To which this declaration relates, corresponds to the essential safety requirements of the Directive 89/392/EEC as amended.

To conform to these essential health and safety requirements, the provisions of the following harmonized standards were particularly considered:

EN 292 - 1,2 , EN 294 , EN 1152 , prEN 703 , prEN 811 , prEN 1553 , prEN 982

DATE 01-01-95

SIGNATURE

Alfred A Cox
ALFRED A. COX, TECHNICAL DIRECTOR